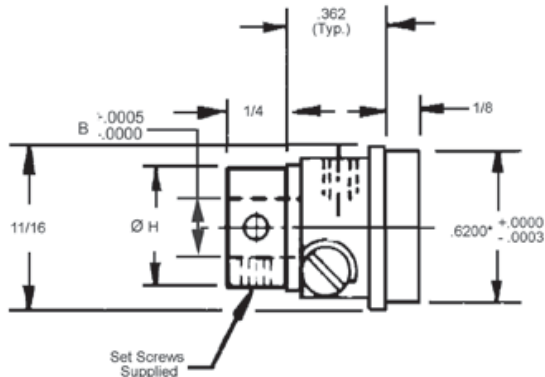


PHASE ADJUSTABLE HUB

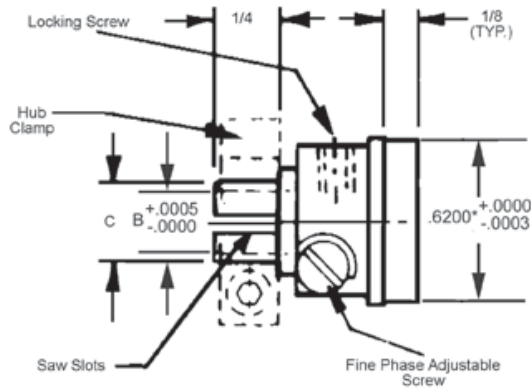
BORE	TYPE	MATERIAL
.1200" TO .2498"	PIN HUB 360° ADJUSTABLE BI-DIRECTIONAL	303 STAINLESS STEEL



STOCK NO.	B BORE	ØH
PH6-4	.1200	5/16
PH6-1	.1248	5/16
PH6-2	.1873	3/8
PH6-3	.2498	1/2

* Concentric to bore within .0003

BORE	TYPE	MATERIAL
.1200" TO .2498"	CLAMP HUB 360° ADJUSTABLE BI-DIRECTIONAL	303 STAINLESS STEEL



STOCK NO.	B BORE	C	HUB CLAMP NO. (ORDER SEPARATELY)
CH6-4	.1200	3/16	CG1-25
CH6-1	.1248	3/16	CG1-25
CH6-2	.1873	1/4	CG1-9
CH6-3	.2498	5/16	CG1-12

* Concentric to bore within .0003