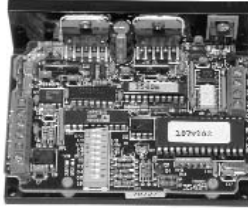


OPEN FRAME STEPPER MOTOR DRIVE

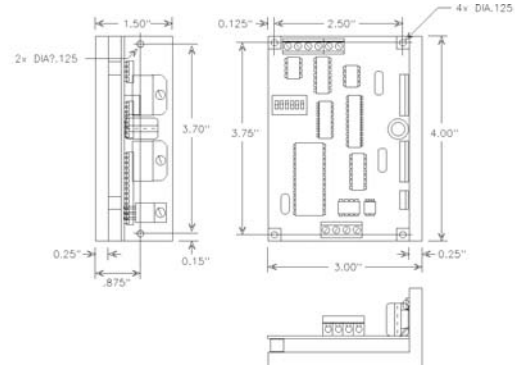
MODEL	TYPE
SMD3540M	MICROSTEPPING 3.5 AMPS, 40 VDC DRIVE

Features

- DC bus voltage 12-42 VDC motor supply (including ripple)
- Switch selectable currents from 0.4*3.5 amps/phase motor current
- Switch selectable step resolutions: 400, 1000, 2000, 12800 steps/rev.
- Switch selectable idle current reduction, 0% or 50%
- Optically isolated 5 VDC inputs for step, direction and enable
- Enable input to turn off current to the motor
- Self test, switch selectable
- 140 watts of usable power
- Screw terminal connectors
- MOSFET, dual H-bridge, inaudible PWM amplifier
- 3 state, pulse width modulated current control, switching at 20-30 KHz
- Drives 4, 6, or 8 lead size 11, 14, 17, 23 or 34 step motors
- CE compliant



Stock No. SMD3540M



Description

The SMD3540M step motor driver is a microstepping drive from 400 to 12,800 steps per revolution, with custom resolutions available upon request, step phase sequencer with MOSFET three state switching amplifiers and optoisolated circuits. The drive also includes an automatic feature to lower motor current by 50% anytime the motor is left at rest for more than one second. This feature can be disabled. Additionally, there is a switch selectable self-test which rotates the motor 1/2 revolution in each direction at 100 steps/second.

The amplifier regulates motor current by chopping at a constant, inaudible frequency. Phase current is selected from 32 levels by a DIP switch. Microstepping resolution is also selected by DIP switch.

Recommended motors for Stock No. SMD3540M drive:

- Nema 17 - SM17 series motors
- Nema 23 - SM23 series motors

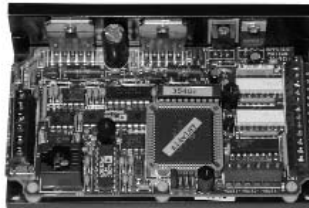
Contact W.M. Berg Technical Support for information on power supply.

STEPPER MOTOR DRIVE

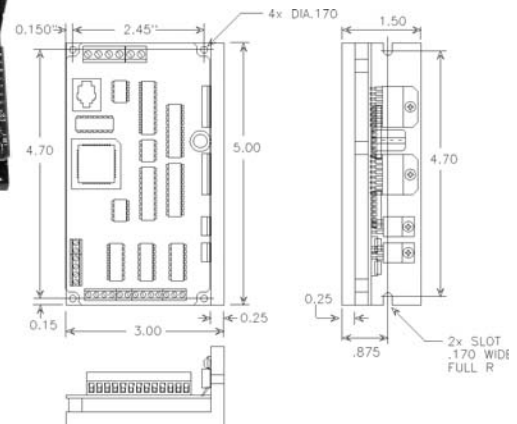
MODEL	TYPE
SMD3540Si	PROGRAMMABLE MICROSTEPPING 3.5 AMPS, 40 VDC DRIVE

Features

- Programmable for stand alone operation with an easy to use Si Programmer™ Windows software (software and programming included)
- Can be operated in real time form a host PC or PLC using Si command Language™ (SCL)
- Can be networked with all other Si™ products via SiNet™ Hub
- DC bus voltage 12-42 VDC motor supply (including ripple)
- Software selectable from 0.2-3.5 amps/phase motor current
- Software selectable Step resolutions from 2000 to 50,800 steps/rev
- Software selectable idle current reduction, 0%, 25%, 50% or 100%
- 8 user programmable inputs
- 3 optically isolated 5-24 VDC outputs
- Communication via RS232 or optional encoder/RS485 daughter board
- 140 watts of usable power
- Screw terminal connector blocks for power, motor and I/O. RJ11 for RS232 port
- MOSFET, dual H-bridge, inaudible PWM amplifier
- 3 state, pulse width modulated current control, switching at 20-30 KHz
- Optional RS485 and encoder input board
- Optional operator terminal (MMI) either standard or backlit
- Drives 4, 6 or 8 lead size 11, 14, 17, 23 or 34 step motors
- CE and TUV compliant



Stock No. SMD3540Si



Description

The SMD3540Si is a programming step motor driver suitable for a wide range of motion control applications. It includes a sophisticated controller integrated with a 140 watt microstepping amplifier.

The SMD3540Si includes an easy to use SiProgrammer™ Windows software for the rapid development of stand-alone motion control programs. The SMD3540Si can also be commanded in real time from a host PC or PLC, using the Si Command Language™

For multi-axis applications, up to eight drives (stepper or Servo) can be networked using a single SiNet™ Hub.

The SMD3540Si includes 8 optically isolated programmable inputs for triggering, branching, position sensing and end of travel detection. Three optically isolated programmable outputs can send signals to other electronic devices and activate relays.

Recommended motors for Stock No. SMD3540Si drive:

- Nema 17 - SM17 series motors
- Nema 23 - SM23 series motors

Contact W.M. Berg Technical Support for information on power supply.