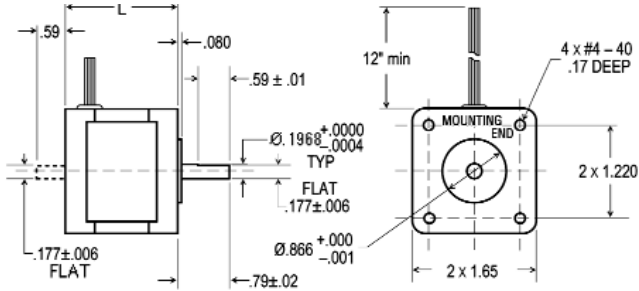


STEPPER MOTOR

TYPE

NEMA 17

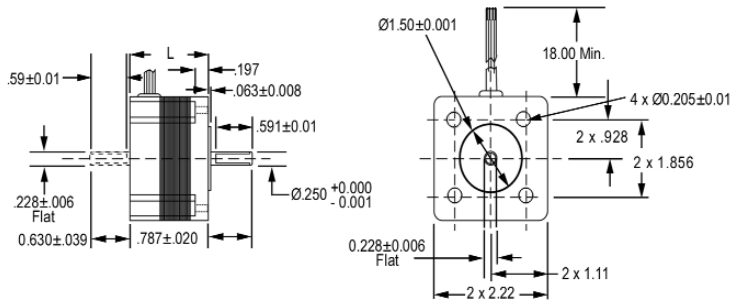


STOCK NO.	MOTOR LENGTH (INCHES)	MINIMUM HOLDING TORQUE (OZ-IN)	LEADS	STEP ANGLE DEGREES	VOLTS	AMPS	OHMS	mH	ROTOR INERTIA (OZ-IN ²)	MOTOR WEIGHT (LBS)	MOTOR CONNECTION
SM17-068	1.3	31.4	8	1.8	5.7	0.67	8.4	11.2	0.19	0.44	SERIES PARALLEL UNIPOLAR
		31.4			2.8	1.34	2.1	2.8			
		22.2			4.0	0.95	4.2	2.8			
SM17-071	1.54	51.0	8	1.8	5.7	0.85	6.6	14.4	0.29	0.57	SERIES PARALLEL UNIPOLAR
		51.0			2.8	1.70	1.7	3.6			
		36.1			4.0	1.20	3.3	3.6			
SM17-075	1.85	62.8	8	1.8	5.7	0.85	6.6	12.0	0.37	0.73	SERIES PARALLEL UNIPOLAR
		62.8			2.8	1.70	1.7	3.0			
		44.4			4.0	1.20	3.3	3.0			

Other lengths and windings available upon request.
 Double shaft also available.
 All motors are optimized for microstepping.

TYPE

NEMA 23



STOCK NO.	MOTOR LENGTH (INCHES)	MINIMUM HOLDING TORQUE (OZ-IN)	LEADS	STEP ANGLE DEGREES	VOLTS	AMPS	OHMS	mH	ROTOR INERTIA (OZ-IN ²)	MOTOR WEIGHT (LBS)	MOTOR CONNECTION
SM23-395	1.54	76.6	8	1.8	2.7	2.12	1.3	2.4	0.66	1.00	SERIES PARALLEL UNIPOLAR
		76.6			1.3	4.24	0.3	0.6			
		54.2			1.9	3.00	0.6	0.6			
SM23-398	2.13	177.0	8	1.8	3.3	2.12	1.5	4.8	1.64	1.54	SERIES PARALLEL UNIPOLAR
		177.0			1.6	4.24	0.4	1.2			
		125.0			2.3	3.00	0.8	1.2			
SM23-401	2.99	264.0	8	1.8	4.2	2.12	2.0	6.4	2.62	2.20	SERIES PARALLEL UNIPOLAR
		264.0			2.1	4.24	0.5	1.6			
		187.0			3.0	3.00	1.0	1.6			

Other lengths and windings available upon request.
 Double shaft also available.
 All motors are optimized for microstepping.