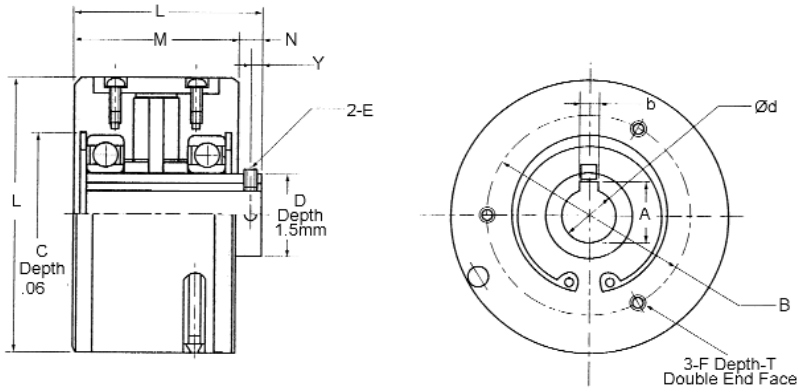


HYSTERESIS BRAKE

MAXIMUM SLIP SPEED

1800 RPM



PERFORMANCE SPECIFICATIONS

STOCK NO.	TORQUE RANGE (IN.-LB.)	MAX. SLIP SPEED (RPM)	MAX. HEAT DISSIPATION (W)	MOMENT OF INERTIA $J \times 10^{-4}$		WEIGHT (LBS)
				Body (kgm ²)	Shaft (kgfcm ²)	
PHT 1.2D	.088-1.50	1800	15	1.3	0.078	0.66

DIMENSIONAL SPECIFICATIONS

STOCK NO.	$\text{Ø}d$ -.0005 -.0000	A	B	C ^{H7}	D	E	F	T	L	M	N	Y
PHT 1.2D	.2362 X 1.48	1.85	1.26±.008	.87	.71	M3	M3	.24	1.56	1.28	.28	.12