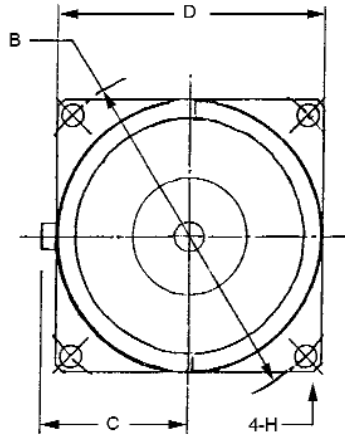
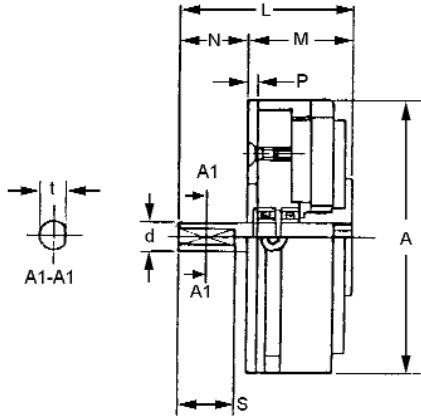


HYSTERESIS BRAKE

MAXIMUM SLIP SPEED

10,000 RPM



PERFORMANCE SPECIFICATIONS

STOCK NO.	TORQUE RANGE (IN.-LB.)	MAX. SLIP SPEED (RPM)	MAX. HEAT DISSIPATION (W)	MOMENT OF INERTIA $J \times 10^{-4}$		WEIGHT (LBS)
				Body (kgm^2)	Shaft (kgfcm^2)	
PHT 0.05S	0-0.066	10,000	3	0.0048	0.0190	.198

DIMENSIONAL SPECIFICATIONS

STOCK NO.	$\varnothing d$ -.0002 -.0004	t	$\varnothing A$	$\varnothing B$ $\pm .008$	C	D	H	L	M	N	P	S
PHT 0.05S	.1181	.10	1.26	1.575	.77	1.38	.13	1.10	.71	.39	.08	.31