

DIRECT ACTING BRAKE

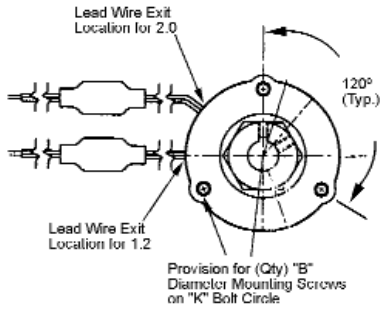
SERIES

SPRING-SET

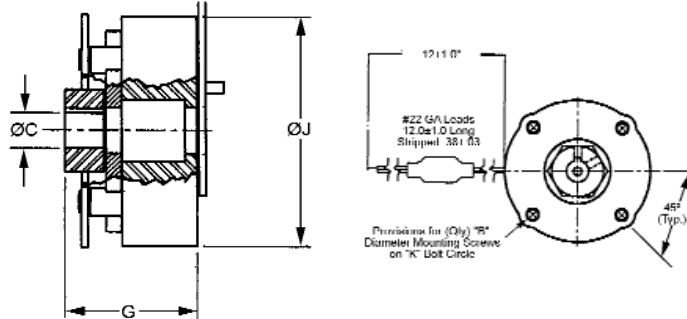
These high quality, low cost brakes optimize performance for holding (Static) or stopping (Dynamic) applications. The 3-20 Series brakes are particularly well-suited for use with or on small gear motors or in applications where gear motors can be used.

They are Spring-Set, electrically released fail-safe brakes ideally suited for applications

SIZES 1.2 AND 2.0



SIZES 1.8 AND 2.8



SIZE	STOCK NO.	TORQUE (IN.-LB.)	APPROX WT. (LB.)	ELECT. POWER (WATTS)	MOUNTING SCREWS			G	ØJ	VOLTAGE	ØC	KEYWAY
					QTY	B	K					
1.2	3-20-24010-0A-JD	3	0.4	7	3	#6	1.545	.890	1.77	90 VDC	3/16	N/A
1.2	3-20-24010-0C-JD	3	0.4	7	3	#6	1.545	.890	1.77	90 VDC	1/4	N/A
1.2	3-20-24010-0A-ED	3	0.4	7	3	#6	1.545	.890	1.77	24 VDC	3/16	N/A
1.2	3-20-24010-0C-ED	3	0.4	7	3	#6	1.545	.890	1.77	24 VDC	1/4	N/A
1.8	3-20-44010-0D-JD	7	1.1	10	4	#8	2.125	1.260	2.43	90 VDC	1/4	1/16 X 1/32
1.8	3-20-44010-0F-JD	7	1.1	10	4	#8	2.125	1.260	2.43	90 VDC	5/16	1/16 X 1/32
1.8	3-20-44010-0D-ED	7	1.1	10	4	#8	2.125	1.260	2.43	24 VDC	1/4	1/16 X 1/32
1.8	3-20-44010-0F-ED	7	1.1	10	4	#8	2.125	1.260	2.43	24 VDC	5/16	1/16 X 1/32
2.0	3-20-54010-0F-JD	18	1.2	12.5	3	#6	2.220	1.190	2.52	90 VDC	5/16	1/16 X 1/32
2.0	3-20-54010-0F-ED	18	1.2	12.5	3	#6	2.220	1.190	2.52	24 VDC	5/16	1/16 X 1/32
2.0	3-20-54010-0H-JD	18	1.2	12.5	3	#6	2.220	1.190	2.52	90 VDC	3/8	3/32 X 3/64
2.0	3-20-54010-0H-ED	18	1.2	12.5	3	#6	2.220	1.190	2.52	24 VDC	3/8	3/32 X 3/64
2.8	3-20-74010-0H-JD	35	2	17	4	#8	2.844	1.415	3.25	90 VDC	3/8	3/32 X 3/64
2.8	3-20-74010-0H-ED	35	2	17	4	#8	2.844	1.415	3.25	24 VDC	3/8	3/32 X 3/64
2.8	3-20-74010-0J-JD	35	2	17	4	#8	2.844	1.415	3.25	90 VDC	1/2	1/8 X 1/16
2.8	3-20-74010-0J-ED	35	2	17	4	#8	2.844	1.415	3.25	24 VDC	1/2	1/8 X 1/16

For other bore sizes, voltages, and mounting configurations call for quote and availability. Brakes are also available with manual release levers, also special order.