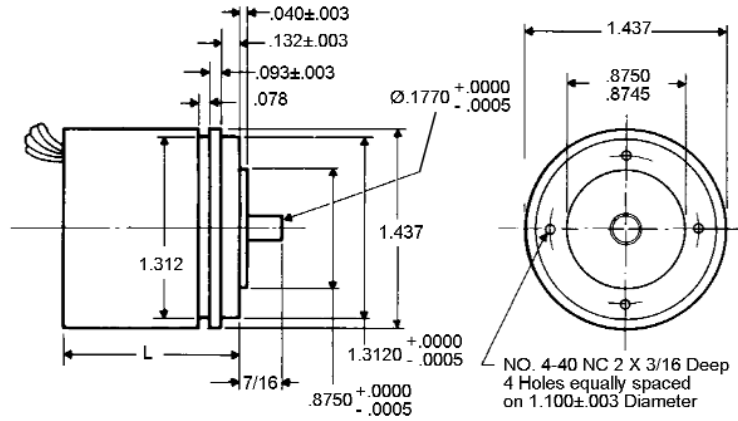


PRECISION SERVOMOTORS

SERIES

BARE ARMATURE DESIGN



STOCK NO.	SPECIFICATIONS	
IMC-004	WEIGHT (OZ.)	8.0
	STALLED TORQUE (OZ. - IN.)	2.0
	NO LOAD SPEED (RPM)	3000
	FREQUENCY (CPS)	60
	ROTOR INERTIA Ø (GM/CM ²)	4.0
	VOLTS INPUT (FIXED) Ø	115
	VOLTS INPUT (CONTROL) Ø	26CT
	STALLED IMPEDANCE (FIXED) Ø	1165 + J1000
	STALLED IMPEDANCE (CONTROL) Ø (OHMS)	60 + J51
	POWER INPUT (FIXED) Ø (WATTS)	6.5
	POWER INPUT (CONTROL) Ø (WATTS)	6.5
	ACCELERATION @ STALL (RAD/SEC ²)	35,200
	FIGURE OF MERIT (OZ. - IN./SEC ²)	70,400
	MOTOR TORQUE CONSTANT (DYNE CM/VOLT)	5420
	MOTOR DAMPING FACTOR (DYNE CM SEC/RAD)	444
	MOTOR VELOCITY CONSTANT (RAD/VOLT SEC)	16.6
	MOTOR CORNER FEQ (RAD/SEC)	111
	MOTOR TIME CONSTANT (SEC)	0.09
	REVERSE TIME (SEC)	0.0153
	LENGTH (MAX. WITH TERMINAL BLOCK) (IN.)	2.015

J