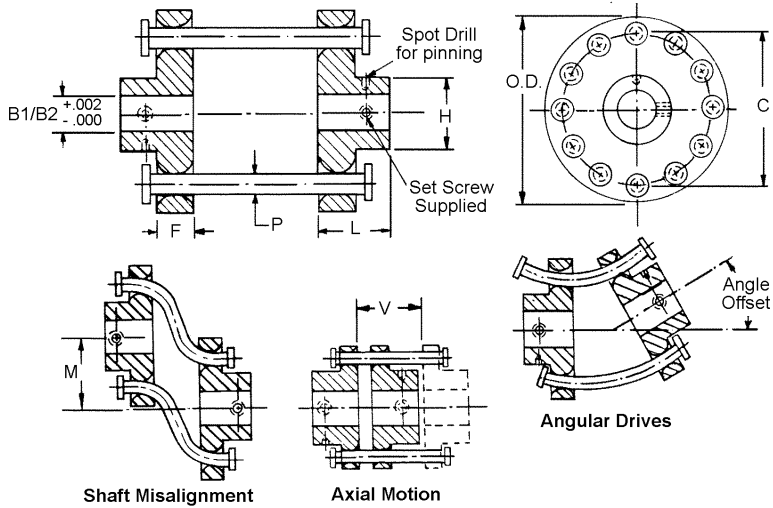


# FLEX-THANE COUPLINGS

BORE	MATERIAL
1/8" TO 1/2"	PINS: POLYURETHANE HUBS: 2024-T4 ANODIZED ALUMINUM



STOCK NO.	B1	B2	P	H	L	F	O.D.	C	M MAX.	V MAX.	MAX. TORQUE LB.-IN.	MAX. ANGLE OFFSET
CC5-10-L	1/8	1/8	1/16	5/16	5/16	1/8	.687	9/16	1/16	9/64	25	10°
CC5-19-L	3/16	3/16	1/8	3/8	11/32	1/8	1.000	3/4	1/8	3/16	35	
CC5-28-L	1/4	1/4	1/8	1/2	7/16	3/16	1.250	1	1/4	1/4	50	
CC5-32-L	5/16	5/16	3/16	1/2	7/16	3/16	1.500	1 1/8	7/32	5/16	60	
CC5-35-L	3/8	3/8	1/4	3/4	3/4	3/8	2.000	1 1/2	5/32	3/8	100	
CC5-37-L	1/2	1/2	5/16	1	7/8	3/8	2.500	1 7/8	1/8	1/2	200	
CC5-10-A	1/8	1/8	1/16	5/16	5/16	1/8	.687	9/16	1/2	7/16	25	30°
CC5-19-A	3/16	3/16	1/8	3/8	11/32	1/8	1.000	3/4	5/8	5/8	35	
CC5-28-A	1/4	1/4	1/8	1/2	7/16	3/16	1.250	1	3/4	7/8	50	
CC5-32-A	5/16	5/16	3/16	1/2	7/16	3/16	1.500	1 1/8	7/8	1 1/8	60	
CC5-35-A	3/8	3/8	1/4	3/4	3/4	3/8	2.000	1 1/2	1	1 3/8	100	
CC5-37-A	1/2	1/2	5/16	1	7/8	3/8	2.500	1 7/8	1 1/4	2	200	

- Can drive shafts to 1 1/4" out of line
- Runs at angles to 30°
- Silent running operation
- Maintenance free
- Long life
- Absorbs start up shock

Central internal chamber diameter may be smaller than bore in some cases.

