

# FLEX-THANE COUPLINGS

BORE	FOR GEAR PITCH	MATERIAL
<b>1/8" TO 1/2"</b>	<b>32</b>	<b>MOLDED POLYURETHANE WITH 303 STAINLESS STEEL HUBS</b>

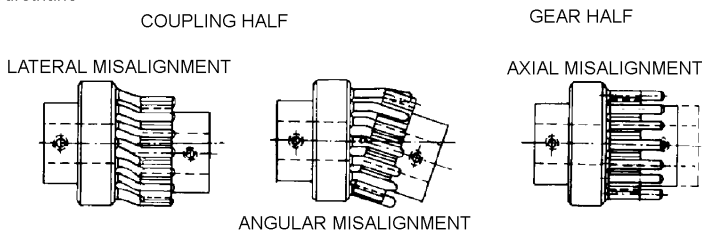
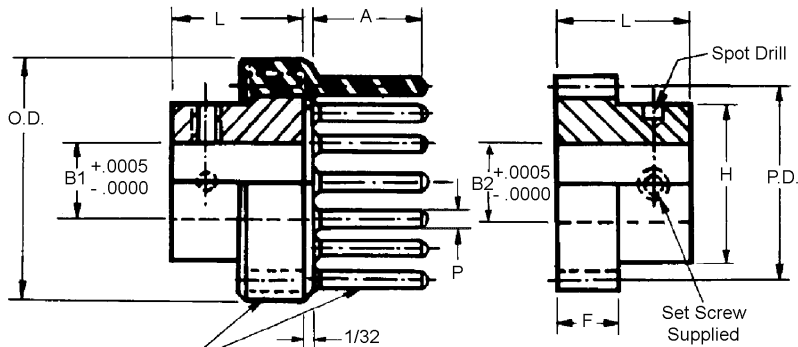
STOCK NO.	B1	B2	H	L	F	NO. OF PINS	P.D.	MAXIMUM MISALIGNMENT		APPROX. MAX TORQUE	A	P	O.D.
								LATERAL	ANGULAR				
CC4-S14	.1248	.1248	5/16	3/8	3/16	24	.750	1/32	15°	100 in.oz.	3/8	.049	15/16
CC4-S21	.1873	.1873	3/8	13/32	3/16	24	.750	1/32	15°	100 in.oz.	3/8	.049	15/16

BORE	FOR GEAR PITCH	MATERIAL
<b>1/8" TO 1/2"</b>	<b>24</b>	<b>MOLDED POLYURETHANE WITH 303 STAINLESS STEEL HUBS</b>

STOCK NO.	B1	B2	H	L	F	NO. OF PINS	P.D.	MAXIMUM MISALIGNMENT		APPROX. MAX TORQUE	A	P	O.D.
								LATERAL	ANGULAR				
CC4-S28	.2498	.2498	1/2	7/16	3/16	24	1.000	1/16	15°	300 in.oz.	1/2	.065	1 3/16
CC4-S32	.3123	.3123	1/2	7/16	3/16	24	1.000	1/16	15°	300 in.oz.	1/2	.065	1 3/16

BORE	FOR GEAR PITCH	MATERIAL
<b>1/8" TO 1/2"</b>	<b>16</b>	<b>MOLDED POLYURETHANE WITH 303 STAINLESS STEEL HUBS</b>

STOCK NO.	B1	B2	H	L	F	NO. OF PINS	P.D.	MAXIMUM MISALIGNMENT		APPROX. MAX TORQUE	A	P	O.D.
								LATERAL	ANGULAR				
CC4-S35	.3748	.3748	3/4	7/8	3/8	20	1.250	1/8	15°	500 in.oz.	3/4	.098	1 1/2
CC4-S37	.4998	.4998	1	7/8	3/8	20	1.250	1/8	15°	500 in.oz.	3/4	.098	1 1/2



Other bore sizes and combinations are available.