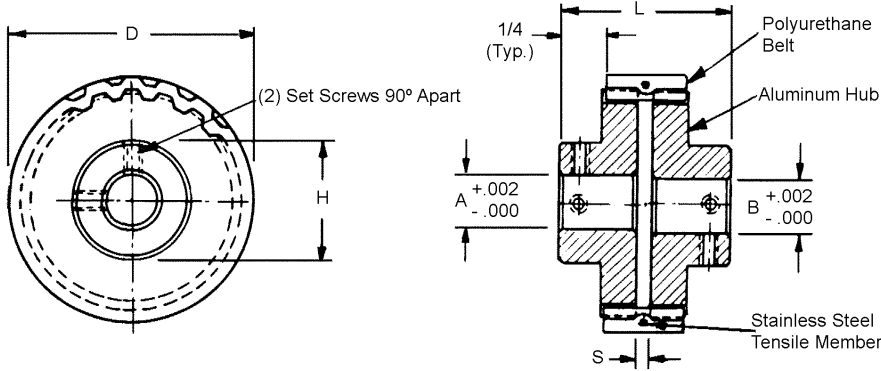


COUPLINGS

BORE	MATERIAL	BERG'S® NAME
1/8" TO 1/2"	POLYURETHANE WITH ANODIZED ALUMINUM HUBS	FLEX-E-GRIP



STOCK NO.	BORES A & B	D	H	L	S	MAXIMUM ANGULAR MISALIGN.	MAXIMUM SHAFT MISALIGN.	MAXIMUM TORQUE (IN LBS.)
CC9-20-2	.125	.56	1/2	5/8	3/64	3°	.005	25
CC9-20-3	.188							
CC9-20-4	.250							
CC9-40-2	.125	1.08	1/2	5/8	3/64	4°	.006	50
CC9-40-3	.188							
CC9-40-4	.250							
CC9-60-2	.125	1.60	1/2	5/8	3/64	5°	.008	100
CC9-60-3	.188							
CC9-60-4	.250							
CC9-120-2	.125	3.16	1/2	5/8	3/64	6°	.010	150
CC9-120-3	.188							
CC9-120-4	.250							
CC10-14-4	.250	.95	3/4	3/4	3/32	3°	.005	50
CC10-14-6	.375							
CC10-14-8	.500							
CC10-24-4	.250	1.58	3/4	3/4	3/32	4°	.006	100
CC10-24-6	.375							
CC10-24-8	.500							
CC10-36-4	.250	2.35	3/4	3/4	3/32	5°	.008	150
CC10-36-6	.375							
CC10-36-8	.500							
CC10-48-4	.250	3.12	3/4	3/4	3/32	6°	.010	200
CC10-48-6	.375							
CC10-48-8	.500							
CC8-10-4	.250	1.28	1	1	1/8	3°	.005	50
CC8-10-6	.375							
CC8-10-8	.500							
CC8-15-4	.250	1.88	1	1	1/8	4°	.006	100
CC8-15-6	.375							
CC8-15-8	.500							
CC8-20-4	.250	2.48	1	1	1/8	5°	.008	200
CC8-20-6	.375							
CC8-20-8	.500							
CC8-24-4	.250	2.96	1	1	1/8	6°	.010	300
CC8-24-6	.375							
CC8-24-8	.500							

- Shaft to shaft couplings
- Pin to pin phase adjustment
- -65° to 180° F temperature range
- Positive drive
- Minimal backlash
- Silent operation
- Acid and chemical resistant

- Shaft to shaft synchronization
- Simple assembly and disassembly
- No lubrication required
- Quick disconnect
- Cushioned drive

Other bore combinations available on request.

