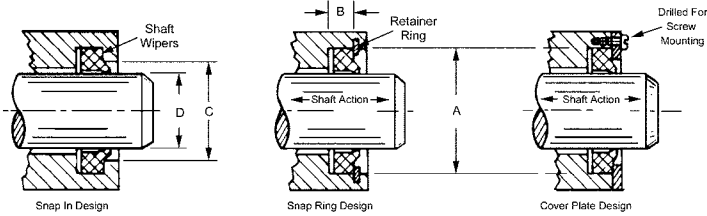
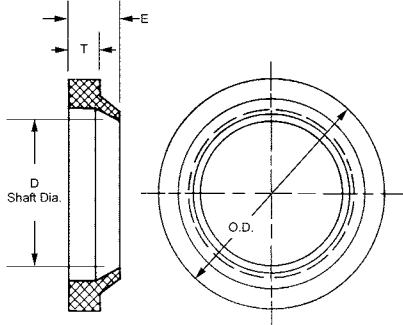


# SHAFT WIPERS

FOR SHAFT SIZES	MATERIAL	TEMPERATURE RANGE
<b>1/2" TO 4"</b>	<b>POLYURETHANE 90A DURO</b>	<b>-40°F TO +190°F</b>



STOCK NO.	WIPER DIMENSIONS					HOUSING DIMENSIONS		
	SHAFT (REF.)	D (+.000/- .002)	O.D.	T	E (MAX)	A (+.004 /-.000)	B (+/- .003)	C (+.005 /-.000)
ANW-9	1/2	.498	.766	.104	.187	.760	.107	.647
ANW-10	9/16	.560	.829	.104	.187	.823	.107	.710
ANW-11	5/8	.623	.891	.104	.187	.885	.107	.772
ANW-12	11/16	.685	.954	.104	.187	.948	.107	.834
ANW-13	3/4	.748	1.016	.104	.187	1.010	.107	.897
ANW-14	13/16	.810	1.090	.104	.187	1.084	.107	.960
ANW-15	7/8	.873	1.153	.104	.187	1.147	.107	1.023
ANW-16	15/16	.935	1.215	.104	.187	1.209	.107	1.085
ANW-17	1	.998	1.278	.104	.187	1.272	.107	1.148
ANW-18	1 1/16	1.060	1.340	.104	.187	1.334	.107	1.210
ANW-19	1 1/8	1.123	1.403	.104	.187	1.397	.107	1.273
ANW-20	1 3/16	1.185	1.465	.104	.187	1.459	.107	1.335
ANW-21	1 1/4	1.248	1.528	.104	.187	1.522	.107	1.398
ANW-22	1 5/16	1.310	1.622	.104	.187	1.614	.107	1.480
ANW-23	1 3/8	1.373	1.685	.104	.187	1.677	.107	1.542
ANW-24	1 7/16	1.435	1.747	.104	.187	1.739	.107	1.605
ANW-25	1 1/2	1.498	1.810	.104	.187	1.802	.107	1.668
ANW-26	1 5/8	1.623	1.935	.104	.187	1.927	.107	1.793
ANW-27	1 3/4	1.748	2.060	.104	.187	2.052	.107	1.918
ANW-28	1 7/8	1.873	2.185	.104	.187	2.177	.107	2.043
ANW-29	2	1.998	2.310	.104	.187	2.302	.107	2.178
ANW-30	2 1/8	2.123	2.435	.104	.187	2.427	.107	2.303
ANW-31	2 1/4	2.248	2.560	.104	.187	2.552	.107	2.428
ANW-32	2 3/8	2.373	2.685	.104	.187	2.677	.107	2.553
ANW-33	2 1/2	2.498	2.810	.104	.187	2.802	.107	2.678
ANW-34	2 5/8	2.623	2.999	.119	.211	2.989	.122	2.834
ANW-35	2 3/4	2.748	3.124	.119	.211	3.114	.122	2.959
ANW-36	2 7/8	2.873	3.249	.119	.211	3.239	.122	3.084
ANW-37	3	2.997	3.374	.119	.211	3.364	.122	3.209
ANW-38	3 1/8	3.122	3.499	.119	.211	3.489	.122	3.334
ANW-39	3 1/4	3.247	3.624	.199	.211	3.614	.122	3.459
ANW-40	3 3/8	3.372	3.749	.199	.211	3.739	.122	3.584
ANW-41	3 1/2	3.497	3.874	.199	.211	3.864	.122	3.709
ANW-42	3 5/8	3.622	3.999	.199	.211	3.989	.122	3.834
ANW-43	3 3/4	3.747	4.124	.199	.211	4.114	.122	3.959
ANW-44	3 7/8	3.872	4.249	.199	.211	4.239	.122	4.084
ANW-45	4	3.997	4.439	.135	.238	4.427	.138	4.240