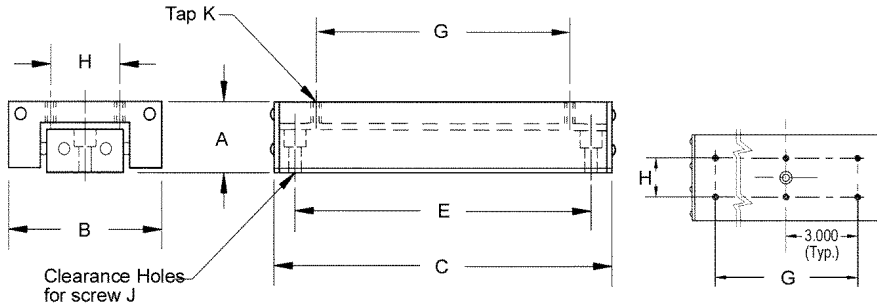


LINEAR BALL SLIDES

TRAVEL	MATERIAL
.50" TO 24.00"	ALUMINUM BLACK ANODIZED



STOCK NO.	TRAVEL	A	B	C	E	G	H	J	K	RATED LOAD (lbs.)
LBSG-5	.5			.75	.375	.375				1.50
LBSG-10	1.0	.23	.38	1.25	.875	.875	.156	#2-56 TAP	#2-56*	1.50
LBSG-15	1.5			1.75	1.375	1.375				1.50
LBSA-5	.5			1.06	.750	.625				4
LBSA-10	1.0			2.06	1.375	1.625				8
LBSA-20	2.0	.32	.56	3.06	2.375	2.625	.218	#2	#2-56	12
LBSA-30	3.0			4.06	3.375	3.625				14
LBSA-40	4.0			5.06	3.500	4.625				16
LBSA-50	5.0			6.06	4.500	5.625				18
LBSE-5	.5			1.06	.750	.625				5
LBSE-10	1.0			2.06	1.375	1.625				9
LBSE-20	2.0	.40	.75	3.06	2.375	2.625	.375	#4	#4-40	12
LBSE-30	3.0			4.06	3.375	3.625				14
LBSE-40	4.0			5.06	3.500	4.625				16
LBSE-50	5.0			6.06	4.500	5.625				18
LBSB-5	.5			1.56	1.250	1.250				10
LBSB-10	1.0			2.56	2.250	2.250				15
LBSB-15	1.5			3.06	2.750	2.750				20
LBSB-20	2.0	.50	1.00	3.56	3.250	3.250	.437	4	#6-32	25
LBSB-30	3.0			4.56	4.250	4.250				30
LBSB-40	4.0			5.56	5.250	5.250				35
LBSB-50	5.0			6.56	6.250	3.250				40
LBSF-7	.8			1.56	1.125	1.250				10
LBSF-15	1.5			2.56	2.125	2.250				15
LBSF-20	2.0			3.56	3.125	3.250				20
LBSF-30	3.0	.53	1.06	4.56	3.250	4.000	.437	6	#6-32	25
LBSF-40	4.0			6.00	4.000	5.500				30
LBSF-60	6.0			8.00	5.000	7.500				35
LBSF-80	8.0			10.00	7.000	9.500				40
LBSH-10	1.0			2.00	1.500	1.375				15
LBSH-20	2.0			3.00	2.500	2.375				20
LBSH-30	3.0			4.00	3.500	3.375				25
LBSH-35	3.5	.62	1.50	5.00	3.500	4.375	.625	6	#6-32	30
LBSH-40	4.0			6.00	4.000	5.375				35
LBSH-60	6.0			8.00	5.000	7.375				45
LBSH-80	8.0			10.00	7.000	9.375				55
LBSC-10	1.0			2.00	1.625	1.375				25
LBSC-15	1.5			2.75	2.250	2.125				30
LBSC-20	2.0			3.25	2.750	2.625				35
LBSC-30	3.0	.75	1.75	4.00	3.500	3.375	.875	6	#6-32	40
LBSC-40	4.0			5.00	4.500	4.375				45
LBSC-60	6.0			7.00	6.500	6.375				55
LBSD-10	1.0			2.62	2.125	2.125				70
LBSD-20	2.0			4.00	3.375	3.000				90
LBSD-30	3.0			5.00	4.375	4.000				110
LBSD-40	4.0			6.00	5.375	5.000				130
LBSD-50	5.0			8.00	7.375	7.000				180
LBSD-60**	6.0			9.00	7.000	6.000				120
LBSD-90**	9.0	1.00	2.62	12.00	10.000	9.000	1.250	#10	#10-32	130
LBSD-120**	12.0			15.00	13.000	12.000				145
LBSD-150**	15.0			18.00	16.000	15.000				160
LBSD-180**	18.0			21.00	19.000	18.000				170
LBSD-210**	21.0			24.00	22.000	21.000				150
LBSD-240**	24.0			27.00	25.000	24.000				120

See Linear Slides Technical Data at beginning of this section for additional specifications.

* Tapped hole is supplied.

** Top Mounting hole configuration for slides LBSD-60 thru LBSD-240