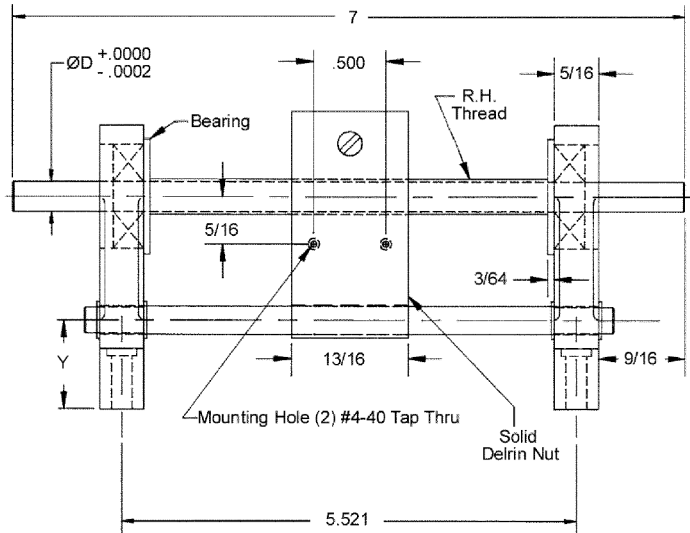
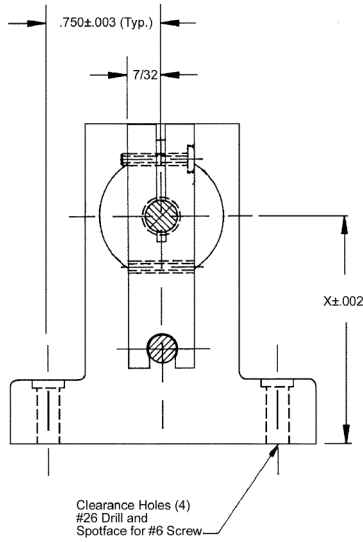


LEAD SCREW ASSEMBLY

MATERIAL

**LEAD SCREW - 303 STAINLESS STEEL • SUPPORT SHAFT - 303 STAINLESS STEEL
SHAFT HANGER - ANODIZED ALUMINUM, FOLLOWER NUT-DELRIN**



STOCK NO.	LEAD PER REV.	SHAFT DIA. D	X	Y	TYPE BEARING
LS1-8	.0500	.1247	1.500	.625	PRECISION BALL
LS1-9	.0394	.1247	1.500	.625	
LS1-3	.0500	.1872	1.500	.625	
LS1-4	.0394	.1872	1.500	.625	
LS1-12	.0500	.2497	2.000	1.125	
LS1-13	.0394	.2497	2.000	1.125	
LS1-20	.0500	.1247	1.500	.625	OIL-LESS BRONZE
LS1-21	.0394	.1247	1.500	.625	
LS1-22	.0500	.1872	1.500	.625	
LS1-23	.0394	.1872	1.500	.625	
LS1-24	.0500	.2497	2.000	1.125	
LS1-25	.0394	.2497	2.000	1.125	

• Minimum Backlash
Precision Ball Bearing Units or Oil-Less Bronze Bearing Units
Longer Lead screws and quantity discounts are available on request.

