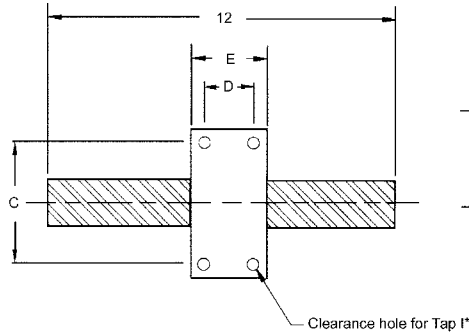


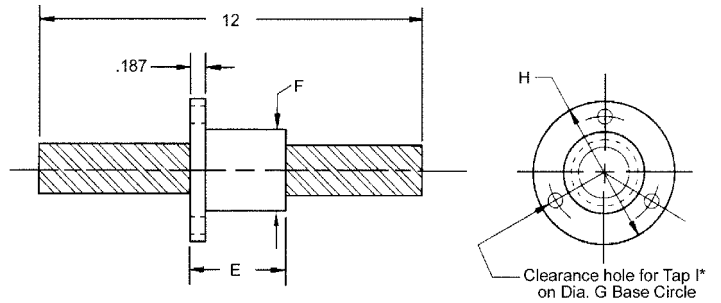
LEAD SCREWS

MATERIAL

NUT - DELRIN
SHAFT - ALUMINUM



LEAD SCREW WITH SQUARE NUT



LEAD SCREW WITH ROUND NUT

Lead Screw Specifications - With Rectangular Nut

LEAD SCREW PITCH DIA.	STOCK NUMBER	LEAD	STOCK NUMBER	LEAD	STOCK NUMBER	LEAD
	PRECISION		PRECISION		PRECISION	
3/16	HTP3KA2-12	.3750	HTP3KA3-12	.5625	HTP3KA4-12	.7500
1/4	HTP4KA2-12	.5000	HTP4KA3-12	.7500	HTP4KA4-12	1.0000
3/8	HTP6KA2-12	.7500	HTP6KA3-12	1.1250	HTP6KA4-12	1.5000
1/2	HTP8KA2-12	1.0000	HTP8KA3-12	1.5000	HTP8KA4-12	2.0000
5/8	HTP10KA2-12	1.2500	HTP10KA3-12	1.8750	HTP10KA4-12	2.5000

Lead Screw Specifications - With Round Nut

LEAD SCREW PITCH DIA.	STOCK NUMBER	LEAD	STOCK NUMBER	LEAD	STOCK NUMBER	LEAD
	PRECISION		PRECISION		PRECISION	
3/16	HTP3LA2-12	.3750	HTP3LA3-12	.5625	HTP3LA4-12	.7500
1/4	HTP4LA2-12	.5000	HTP4LA3-12	.7500	HTP4LA4-12	1.0000
3/8	HTP6LA2-12	.7500	HTP6LA3-12	1.1250	HTP6LA4-12	1.5000
1/2	HTP8LA2-12	1.0000	HTP8LA3-12	1.5000	HTP8LA4-12	2.0000
5/8	HTP10LA2-12	1.2500	HTP10LA3-12	1.8750	HTP10LA4-12	2.5000

Nut Specifications

LEAD SCREW PITCH DIA.	A	B	C	D	E	F	G	H	I*	LOAD
3/16	.500	1.250	1.000	#	.750	.437	.750	1.06	#6-32	16 Lbs.
1/4	.500	1.313	1.000	#	.750	.500	.812	1.12	#6-32	22 Lbs.
3/8	.625	1.750	1.313	#	.750	.625	1.000	1.37	#8-32	32 Lbs.
1/2	.750	1.813	1.437	.625	1.000	.750	1.125	1.50	#8-32	44 Lbs.
5/8	.875	1.937	1.562	.625	1.000	1.000	1.375	1.75	#8-32	55 Lbs.

Note: Special lengths, ends, diameters, or material available on request. Load ratings, based on shear of nut does not account for buckling.

- These items are supplied with one mounting hole @ E/2 on each side.

* Note: some clearance holes may be slotted to accept a range of sizes.

Spare nuts available on request.