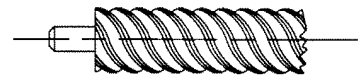
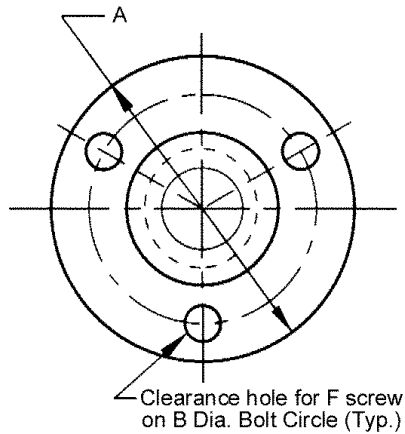
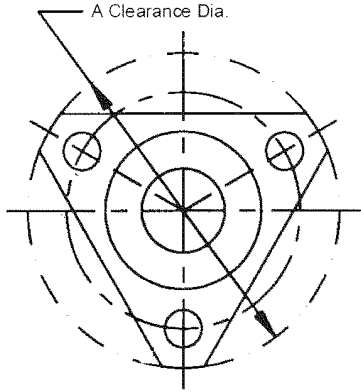
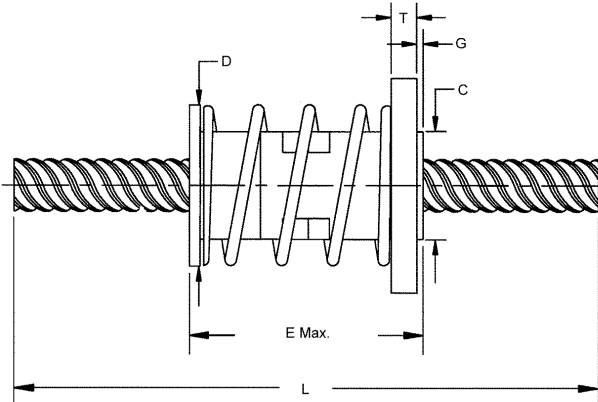


ANTI-BACKLASH LEAD SCREW ASSEMBLIES

SERIES	MATERIAL
HIGH PRECISION	NUT - DELRIN, SPRING - STEEL PLATED ZINC, SCREW - STAINLESS STEEL



Special end configurations available on request.

Lead Screw Specifications

HIGH PRECISION LEAD SCREW SERIES	PITCH DIA.	LEAD	A	B ±.010	C ±.010	D	E	F	L	T	G
HTSP4ABS1-12 HTSP4ABS2-12 HTSP4ABS4-12	1/4	.0500 .0625 .2500	1.00	.750	.437	.582	1.13	#6-32	12	.19	.06
HTSP5ABS1-12 HTSP5ABS2-12	5/16	.0833 .2500	1.500	1.125	.625	.770	1.50	#10-24			
HTSP6ABS1-24 HTSP6ABS2-24 HTSP6ABS8-24	3/8	.1000 .2500 1.0000							24	.19	.06
HTSP7ABS1-24	7/16	.2500									
HTSP8ABS4-24 HTSP8ABS8-24	1/2	.5000 1.0000									
HTSP10ABS4-36*	5/8	.5000	1.750	1.375	.875	1.03	2.09	#10-24	36	.25	.08
HTSP12ABS4-36	3/4	.5000	2.180	1.800	1.18	1.58	2.50	#10	36	.25	.08

* Lead Screws can also be supplied in footage up to 5 ft.
Spare Nuts are also available on request
W. M. Berg rolling capabilities up to 2.00" dia. 16 d.p.