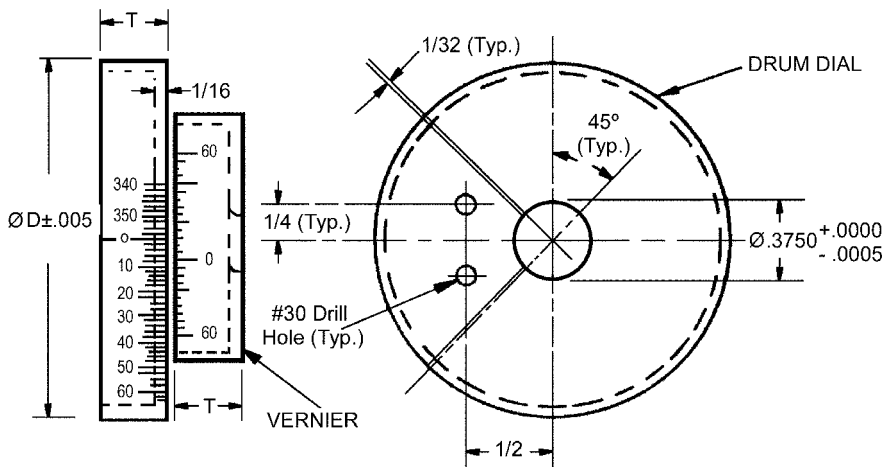


DRUM DIALS

DIAMETER	TYPE	MATERIAL
1 1/2" TO 3"	SETS, DIALS OR VERNIERS	ALUMINUM BLACK ANODIZED



SET STOCK NO.	DIAL STOCK NO.	VERNIER STOCK NO.	D DIAL DIA.	T WIDTH	VERNIER READING	GRADUATIONS
A1-1*	A1-1-D	A1-1-V	1.490	3/8	12 MIN.	180 IN 2° STEPS
A1-2*	A1-2-D	A1-2-V	1.990	3/8	12 MIN.	180 IN 2° STEPS
A1-3	A1-3-D	A1-3-V	2.490	1/2	6 MIN.	360 IN 1° STEPS
A1-4	A1-4-D	A1-4-V	2.990	1/2	6 MIN.	360 IN 1° STEPS

* Dials and Verniers are numbered every 20°.

Engraving filled with white.
Range of Graduations - 0 to 360°

- Available on request:
- Pin or Clamp Hubs assembled to drum
 - Counter Clockwise numbering
 - Special Engraving

For Pin and Clamp Hubs see index.

