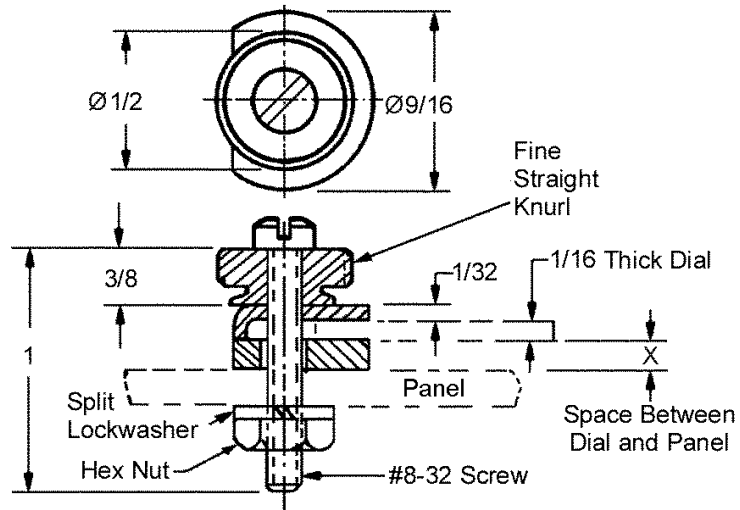


DIAL CLAMP

MATERIAL

STAINLESS STEEL



STOCK NO.	X
A16-1	1/16
A16-2	1/8

Supplied complete with all hardware.

