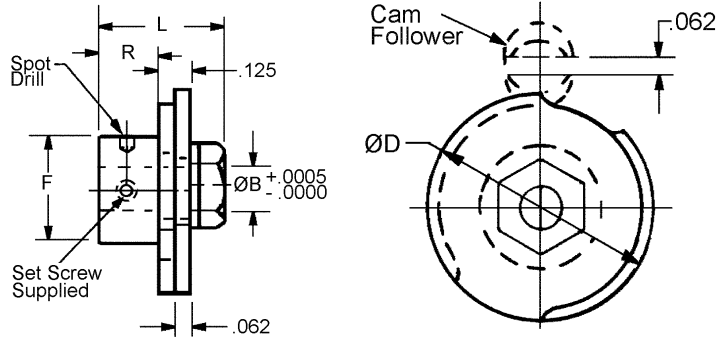


ADJUSTABLE CAM ASSEMBLY

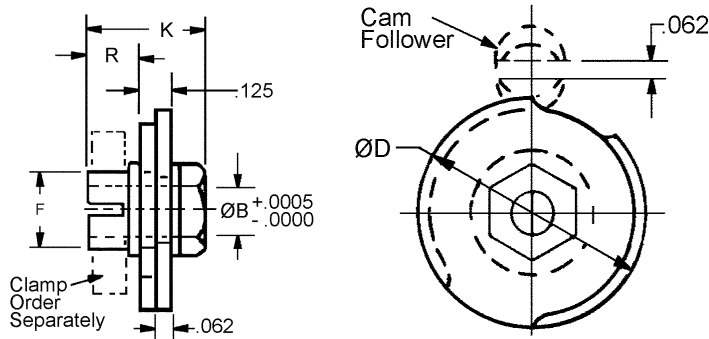
BORE SIZES	TYPE	MATERIAL
1/8" TO 1/2"	PIN HUB	303 STAINLESS STEEL



Cam plates are adjustable from 0° to 180°. Order Cam Follower Separately.

STOCK NO.	B	D	F	L	R
JD-1-P	.1248		5/16		
JD-2-P	.1873	11/16	3/8	.61	1/4
JD-3-P	.2498		1/2		
JD-4-P	.1248		5/16		
JD-5-P	.1873	1-1/4	3/8	.61	1/4
JD-6-P	.2498		1/2		
JD-7-P	.3123		1-1/4		
JD-8-P	.3748	2	1-1/4	1.50	1/2
JD-9-P	.4998		1-1/4		

BORE SIZES	TYPE	MATERIAL
1/8" TO 1/2"	CLAMP STYLE	303 STAINLESS STEEL



Cam plates are adjustable from 0° to 180°. Order Cam Follower Separately.

STOCK NO.	B	D	F	K	R
CA-1C	.1248		.188		
CA-2C	.1873	11/16	.250	.61	1/4
CA-3C	.2498		.312		
CA-4C	.1248		.188		
CA-5C	.1873	1-1/4	.250	.61	1/4
CA-6C	.2498		.312		
CA-7C	.3123		.375		
CA-8C	.3748	2	.437	1.25	1/2
CA-9C	.4998		.562		