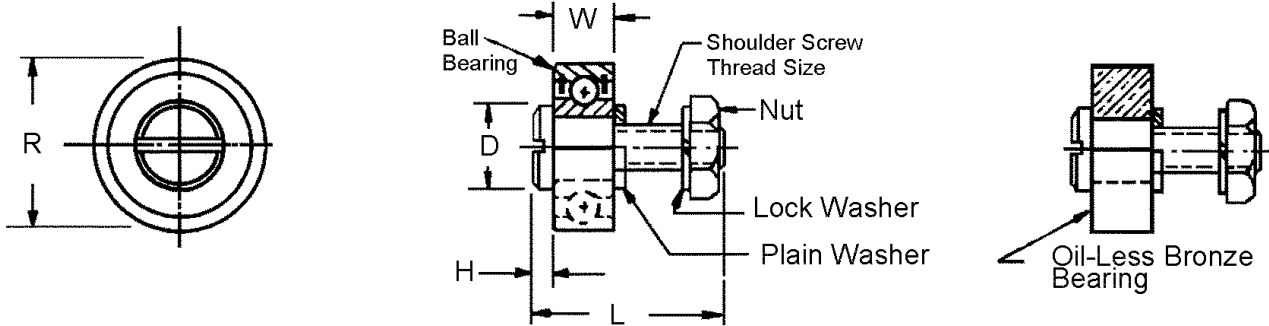


# CAM FOLLOWER

TYPE	MATERIAL	ABEC
<b>BALL BEARING OR BRONZE BEARING</b>	<b>303 STAINLESS STEEL</b>	<b>5</b>



STOCK NO.	R	W	L	D	H	SCREW THREAD	BEARING
JE-1	.2500	.109	.484	3/16	1/8	#4-40	BALL BEARING
JE-2	.3125	.140	.578	7/32	1/8	#4-40	
JE-3	.3750	.156	.593	1/4	1/8	#4-40	
JE-4	.5000	.196	.727	5/16	5/32	#8-32	
JE-5	.6250	.196	.852	3/8	5/32	#10-32	
JE-6	.2500	.140	.484	5/32	3/32	#1-64	
JE-7	.3125	.140	.484	3/16	3/32	#2-56	
JE-1-PH*	.2500	.109	.484	3/16	1/8	#4-40	BRONZE BEARING
JE-B-1	.2500	.093	.483	3/16	1/8	#4-40	
JE-B-3	.3750	.140	.593	1/4	1/8	#4-40	
JE-B-4	.5000	.180	.727	5/16	5/32	#8-32	
JE-B-5	.6250	.180	.852	3/8	5/32	#10-32	



\*Hardened shoulder screw, material is 416 Stainless Steel.

**C**