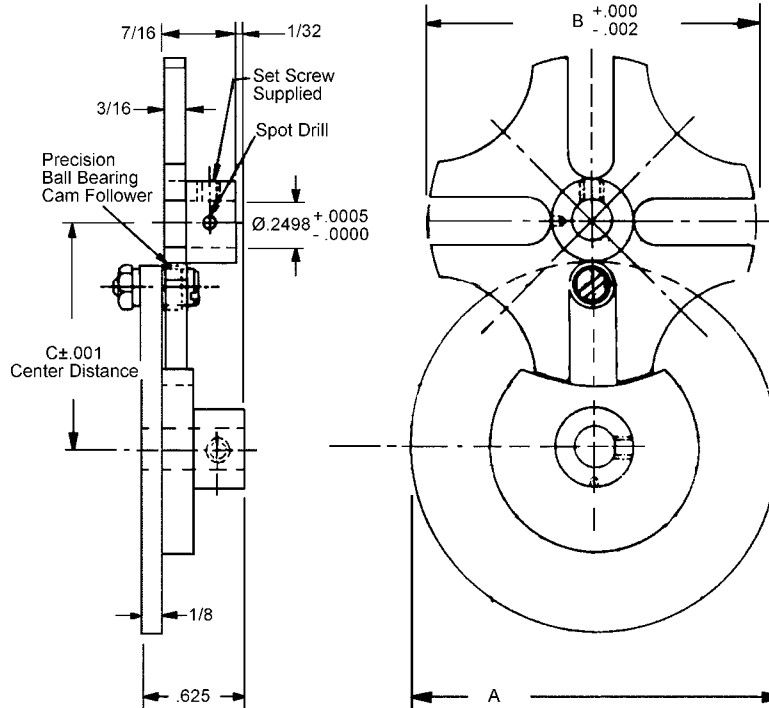


GENEVA MECHANISM

SHAFT	POINTS	MATERIAL
1/4"	4, 5, 6 AND 8	STAINLESS STEEL



4 POINT DRIVE ILLUSTRATED

STOCK NO.	NO. ROLLERS ON DRIVER	RELATIVE ROTATION DRIVER TO DRIVEN		POINTS ON DRIVEN	MAX. TORQUE (IN OZ.)	MAX OPER. TORQUE (IN OZ.)	A	B	C
GM-1 GM-1A	ONE TWO	360° 180°	90°	4	71	35	2-1/4	1.971	1.3824
GM-2 GM-2A	ONE TWO	360° 180°	72°	5	110	55	2-1/4	2.470	1.5187
GM-3 GM-3A	ONE TWO	360° 180°	60°	6	175	87	2-1/2	3.468	1.9970
GM-4 GM-4A	ONE TWO	360° 180°	45°	8	240	120	2	4.083	2.2056

STOCK NO.	DESCRIPTION
JE-1-PH	REPLACEMENT CAM FOLLOWER

5/16" Bore available, call for price, to order, add an "L" to end of Stock Number.

