

INTERMITTENT MOTION ASSEMBLY

SHAFT	PITCH GEARS	TYPE
1/4"	48	BALL BEARING

Precision Geneva Mechanism

Materials:

Housing and Cover - Anodized Aluminum

Geneva - Stainless Steel

Gears - Stainless Steel and Aluminum

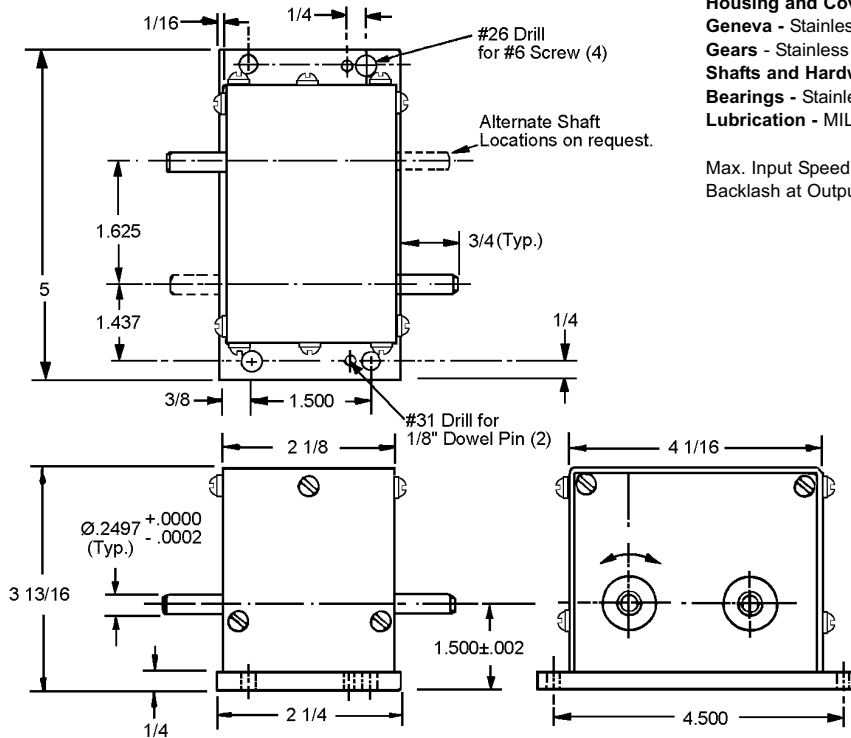
Shafts and Hardware - Stainless Steel

Bearings - Stainless Steel - ABEC 7

Lubrication - MIL Spec. Oil and Grease

Max. Input Speed - 300 RPM

Backlash at Output Shaft - 30 Minutes Max.



PRECISION BALL BEARING UNIT	ROTATION OF OUTPUT SHAFT PER EACH 360° REV. OF INPUT
STOCK NUMBER	
GX-1	90 DEGREES
GX-2	60 DEGREES
GX-3	45 DEGREES
GX-4	30 DEGREES
GX-5	22.5 DEGREES
GX-6	10 DEGREES

PRECISION BALL BEARING UNIT	ROTATION OF OUTPUT SHAFT PER EACH 180° REV. OF INPUT
STOCK NUMBER	
GX-7	90 DEGREES
GX-8	60 DEGREES
GX-9	45 DEGREES
GX-10	30 DEGREES
GX-11	22.5 DEGREES
GX-12	10 DEGREES

