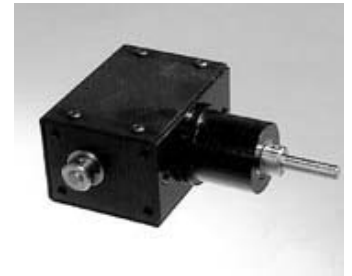
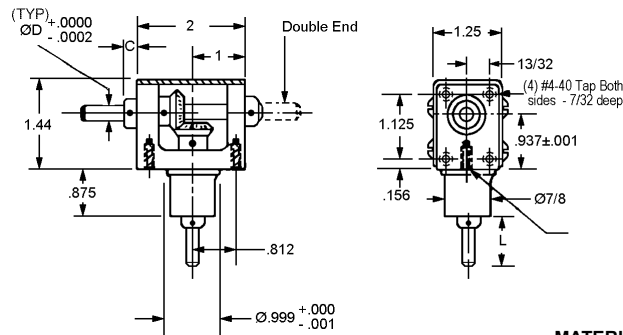


# MITER GEARBOX

SHAFT SIZE	RATIO	TYPE
<b>1/8"</b>	<b>1:1</b>	<b>BALL BEARING OR BRONZE BEARING</b>

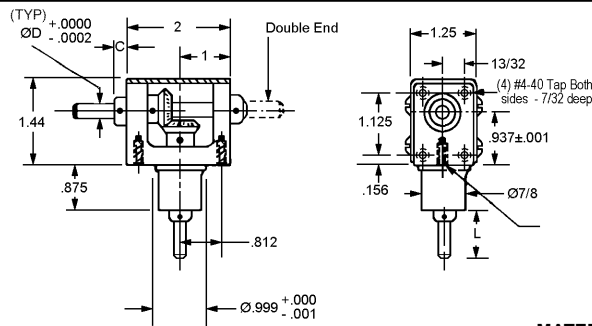


Consult Berg's Engineering Department for higher torque units.

ABEC 7 BALL BEARING	OIL-LESS BRONZE BEARING UNIT	ØD	C	L	SHAFT END STYLE	R.P.M. (MAX.)	TORQUE (MAX.)
STOCK NO.	STOCK NO.						
MX-1	MX-1B	.1247	.187	.71	SINGLE	1000	200
MX-1-D	MX-1B-D				DOUBLE		OZ.IN.

**MATERIAL:**  
**Housing** Aluminum  
**Shafts and Hardware** Stainless Steel  
**Bearings** Stainless Steel or Bronze  
**Gears** Stainless Steel and Aluminum  
**Lubrication** MIL. Spec. Oil and Grease

SHAFT SIZE	RATIO	TYPE
<b>3/16"</b>	<b>1:1</b>	<b>BALL BEARING OR BRONZE BEARING</b>

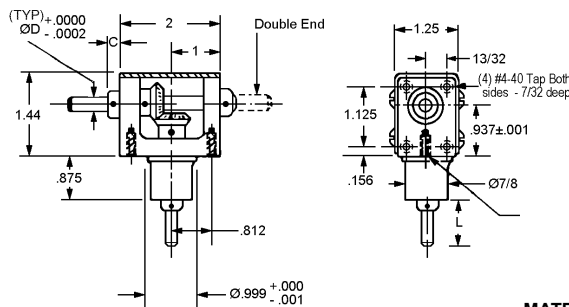


Consult Berg's Engineering Department for higher torque units.

ABEC 7 BALL BEARING	OIL-LESS BRONZE BEARING UNIT	ØD	C	L	SHAFT END STYLE	R.P.M. (MAX.)	TORQUE (MAX.)
STOCK NO.	STOCK NO.						
MX-2	MX-2B	.1872	.220	.87	SINGLE	2000	300
MX-2-D	MX-2B-D				DOUBLE		OZ.IN.

**MATERIAL:**  
**Housing** Aluminum  
**Shafts and Hardware** Stainless Steel  
**Bearings** Stainless Steel or Bronze  
**Gears** Stainless Steel and Aluminum  
**Lubrication** MIL. Spec. Oil and Grease

SHAFT SIZE	RATIO	TYPE
<b>1/4"</b>	<b>1:1</b>	<b>BALL BEARING OR BRONZE BEARING</b>



Consult Berg's Engineering Department for higher torque units.

ABEC 7 BALL BEARING	OIL-LESS BRONZE BEARING UNIT	ØD	C	L	SHAFT END STYLE	R.P.M. (MAX.)	TORQUE (MAX.)
STOCK NO.	STOCK NO.						
MX-3	MX-3B	.2497	.250	1.03	SINGLE	2500	500
MX-3-D	MX-3B-D				DOUBLE		OZ.IN.

**MATERIAL:**  
**Housing** Aluminum  
**Shafts and Hardware** Stainless Steel  
**Bearings** Stainless Steel or Bronze  
**Gears** Stainless Steel and Aluminum  
**Lubrication** MIL. Spec. Oil and Grease