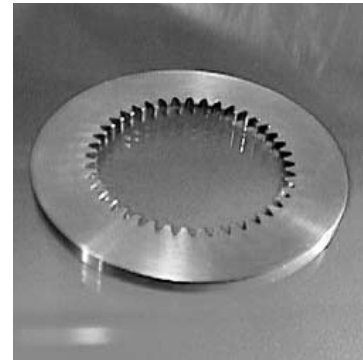
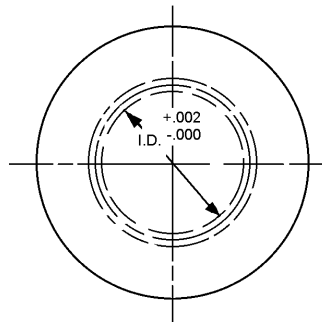
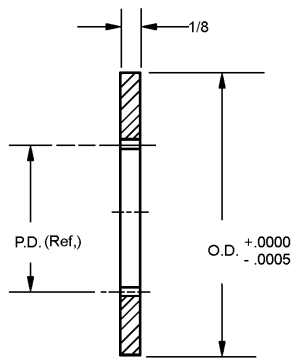


# INTERNAL GEARS

PITCH	I.D.	O.D.	MATERIAL	AGMA QUALITY	PRESSURE ANGLE
120	.816 TO 3.149	1.9980 TO 3.9980	303 STAINLESS STEEL OR 2024-T4 ALUMINUM ANODIZED	10	20°

**B**

303 STAINLESS STEEL STOCK NO.	2024-T4 ALUMINUM ANODIZED STOCK NO.	NO. OF TEETH	PITCH DIA.	INSIDE DIA.	OUTSIDE DIA.
N120S2-100	N120A2-100	100	.8333	.816	1.9980
N120S2-120	N120A2-120	120	1.0000	.983	
N120S2-140	N120A2-140	140	1.1667	1.149	
N120S2-160	N120A2-160	160	1.3333	1.316	
N120S2-180	N120A2-180	180	1.5000	1.483	
N120S3-180	N120A3-180	180	1.5000	1.483	2.9980
N120S3-200	N120A3-200	200	1.6667	1.649	
N120S3-240	N120A3-240	240	2.0000	1.983	
N120S3-250	N120A3-250	250	2.0833	2.066	
N120S3-270	N120A3-270	270	2.2500	2.233	
N120S3-300	N120A3-300	300	2.5000	2.483	
N120S4-300	N120A4-300	300	2.5000	2.483	3.9980
N120S4-320	N120A4-320	320	2.6667	2.649	
N120S4-340	N120A4-340	340	2.8333	2.816	
N120S4-350	N120A4-350	350	2.9167	2.900	
N120S4-360	N120A4-360	360	3.0000	2.983	
N120S4-380	N120A4-380	380	3.1667	3.149	



Drawing and dimensions apply to all pitches.  
Special internal gears on request.

For Couplings See Section G.  
For Shafts, Bearings and Collars See Section I.