

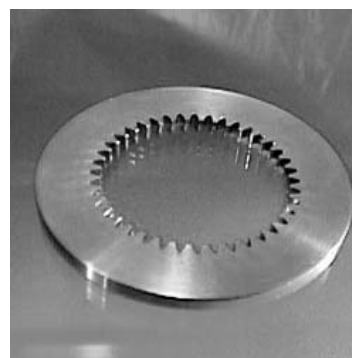
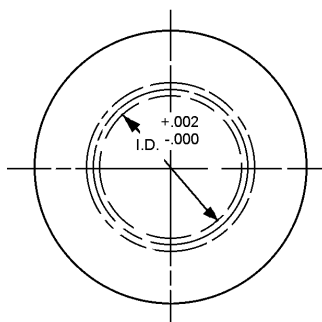
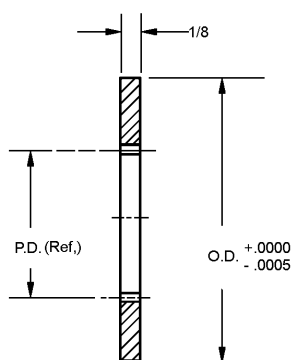
# INTERNAL GEARS

PITCH	I.D.	O.D.	MATERIAL	AGMA QUALITY	PRESSURE ANGLE
<b>24</b>	<b>.750 TO 3.166</b>	<b>1.9980 TO 3.9980</b>	<b>303 STAINLESS STEEL OR 2024-T4 ALUMINUM ANODIZED</b>	<b>10</b>	<b>20°</b>

303 STAINLESS STEEL STOCK NO.	2024-T4 ALUMINUM ANODIZED STOCK NO.	NO. OF TEETH	PITCH DIA.	INSIDE DIA.	OUTSIDE DIA.
N24S2-20	N24A2-20	20	.8333	.750	1.9980
N24S2-25	N24A2-25	25	1.0417	.958	
N24S2-30	N24A2-30	30	1.2500	1.166	
N24S2-35	N24A2-35	35	1.4583	1.375	
N24S3-35	N24A3-35	35	1.4583	1.375	2.9980
N24S3-40	N24A3-40	40	1.6667	1.583	
N24S3-45	N24A3-45	45	1.8750	1.791	
N24S3-50	N24A3-50	50	2.0833	2.000	
N24S3-60	N24A3-60	60	2.5000	2.416	3.9980
N24S4-60	N24A4-60	60	2.5000	2.416	
N24S4-65	N24A4-65	65	2.7083	2.625	
N24S4-70	N24A4-70	70	2.9167	2.834	
N24S4-72	N24A4-72	72	3.0000	2.916	3.9980
N24S4-78	N24A4-78	78	3.2500	3.166	

PITCH	I.D.	O.D.	MATERIAL	AGMA QUALITY	PRESSURE ANGLE
<b>32</b>	<b>.718 TO 3.062</b>	<b>1.9980 TO 3.9980</b>	<b>303 STAINLESS STEEL OR 2024-T4 ALUMINUM ANODIZED</b>	<b>10</b>	<b>20°</b>

303 STAINLESS STEEL STOCK NO.	2024-T4 ALUMINUM ANODIZED STOCK NO.	NO. OF TEETH	PITCH DIA.	INSIDE DIA.	OUTSIDE DIA.
N32S2-25	N32A2-25	25	.7813	.718	1.9980
N32S2-30	N32A2-30	30	.9375	.875	
N32S2-35	N32A2-35	35	1.0938	1.031	
N32S2-40	N32A2-40	40	1.2500	1.187	
N32S2-45	N32A2-45	45	1.4063	1.343	
N32S3-45	N32A3-45	45	1.4063	1.343	2.9980
N32S3-50	N32A3-50	50	1.5625	1.500	
N32S3-60	N32A3-60	60	1.8750	1.812	
N32S3-70	N32A3-70	70	2.1875	2.125	
N32S3-80	N32A3-80	80	2.5000	2.437	
N32S4-80	N32A4-80	80	2.5000	2.437	3.9980
N32S4-85	N32A4-85	85	2.6563	2.593	
N32S4-90	N32A4-90	90	2.8125	2.750	
N32S4-96	N32A4-96	96	3.0000	2.937	
N32S4-100	N32A4-100	100	3.1250	3.062	



Drawing and dimensions apply to all pitches.  
Special internal gears on request.