

ANTI-BACKLASH WORM GEARS

B

| PITCH | STYLE | BORE | MATERIAL | AGMA QUALITY | TYPE |
|-----------|----------------------------------|--------------|--------------------------------------|--------------|-------------------|
| 48 | SINGLE THREAD PIN HUB | 3/16" | BRONZE QQ-B-637 ALLOY 464 | 10 | RIGHT HAND |

| STOCK NO. | NO. OF TEETH | PITCH DIA. |
|---------------|--------------|------------|
| AW48BS21-S40 | 40 | .833 |
| AW48BS21-S48 | 48 | 1.000 |
| AW48BS21-S50 | 50 | 1.042 |
| AW48BS21-S56 | 56 | 1.167 |
| AW48BS21-S60 | 60 | 1.250 |
| AW48BC21-S70 | 70 | 1.458 |
| AW48BC21-S72 | 72 | 1.500 |
| AW48BC21-S80 | 80 | 1.667 |
| AW48BC21-S90 | 90 | 1.875 |
| AW48BC21-S96 | 96 | 2.000 |
| AW48BC21-S100 | 100 | 2.083 |

Ratio = $\frac{\text{\# of Teeth}}{\text{Worm Threads}}$
 Pressure Angle 14/1/2°
 Runs with worm #
 W48S-2S
 OR
 W48S-3S

| PITCH | STYLE | BORE | MATERIAL | AGMA QUALITY | TYPE |
|-----------|----------------------------------|--------------|--------------------------------------|--------------|-------------------|
| 48 | DOUBLE THREAD PIN HUB | 3/16" | BRONZE QQ-B-637 ALLOY 464 | 10 | RIGHT HAND |

| STOCK NO. | NO. OF TEETH | PITCH DIA. |
|---------------|--------------|------------|
| AW48BS21--D40 | 40 | .833 |
| AW48BS21--D48 | 48 | 1.000 |
| AW48BS21--D50 | 50 | 1.042 |
| AW48BS21--D56 | 56 | 1.167 |
| AW48BS21--D60 | 60 | 1.250 |
| AW48BC21-D70 | 70 | 1.458 |
| AW48BC21-D72 | 72 | 1.500 |
| AW48BC21-D80 | 80 | 1.667 |
| AW48BC21-D90 | 90 | 1.875 |
| AW48BC21-D96 | 96 | 2.000 |
| AW48BC21-D100 | 100 | 2.083 |

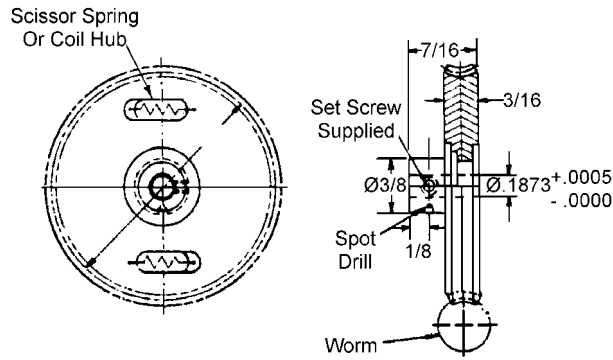
Ratio = $\frac{\text{\# of Teeth}}{\text{Worm Threads}}$
 Pressure Angle 20°
 Runs with worm #
 W48S-2D
 OR
 W48S-3D

| PITCH | STYLE | BORE | MATERIAL | AGMA QUALITY | TYPE |
|-----------|--------------------------------|--------------|--------------------------------------|--------------|-------------------|
| 48 | FOUR THREAD PIN HUB | 3/16" | BRONZE QQ-B-637 ALLOY 464 | 10 | RIGHT HAND |

| STOCK NO. | NO. OF TEETH | PITCH DIA. |
|---------------|--------------|------------|
| AW48BS21-F40 | 40 | .833 |
| AW48BS21-F48 | 48 | 1.000 |
| AW48BS21-F50 | 50 | 1.042 |
| AW48BS21-F56 | 56 | 1.167 |
| AW48BS21-F60 | 60 | 1.250 |
| AW48BC21-F70 | 70 | 1.458 |
| AW48BC21-F72 | 72 | 1.500 |
| AW48BC21-F80 | 80 | 1.667 |
| AW48BC21-F90 | 90 | 1.875 |
| AW48BC21-F96 | 96 | 2.000 |
| AW48BC21-F100 | 100 | 2.083 |

Ratio = $\frac{\text{\# of Teeth}}{\text{Worm Threads}}$
 Pressure Angle 25°
 Runs with worm #
 W48S-2F
 OR
 W48S-3F

Hub Material: 303 Stainless Steel



Other numbers of teeth are available on request.