

ANTI-BACKLASH WORM GEARS

PITCH	STYLE	BORE	MATERIAL	AGMA QUALITY	TYPE
48	SINGLE THREAD PIN HUB	1/8"	BRONZE QQ-B-637 ALLOY 464	10	RIGHT HAND

STOCK NO.	NO. OF TEETH	PITCH DIA.
AW48BS13-S40	40	.833
AW48BS13-S48	48	1.000
AW48BS13-S50	50	1.042
AW48BS13-S56	56	1.167
AW48BS13-S60	60	1.250
AW48BC13-S70	70	1.458
AW48BC13-S72	72	1.500
AW48BC13-S80	80	1.667
AW48BC13-S90	90	1.875
AW48BC13-S96	96	2.000
AW48BC13-S100	100	2.083

$$\text{Ratio} = \frac{\# \text{ of Teeth}}{\text{Worm Threads}}$$

Pressure Angle
14/1/2°

Runs with worm #
W48S-2S
OR
W48S-3S

PITCH	STYLE	BORE	MATERIAL	AGMA QUALITY	TYPE
48	DOUBLE THREAD PIN HUB	1/8"	BRONZE QQ-B-637 ALLOY 464	10	RIGHT HAND

STOCK NO.	NO. OF TEETH	PITCH DIA.
AW48BS13-D40	40	.833
AW48BS13-D48	48	1.000
AW48BS13-D50	50	1.042
AW48BS13-D56	56	1.167
AW48BS13-D60	60	1.250
AW48BC13-D70	70	1.458
AW48BC13-D72	72	1.500
AW48BC13-D80	80	1.667
AW48BC13-D90	90	1.875
AW48BC13-D96	96	2.000
AW48BC13-D100	100	2.083

$$\text{Ratio} = \frac{\# \text{ of Teeth}}{\text{Worm Threads}}$$

Pressure Angle 20°

Runs with worm #
W48S-2D
OR
W48S-3D

PITCH	STYLE	BORE	MATERIAL	AGMA QUALITY	TYPE
48	FOUR THREAD PIN HUB	1/8"	BRONZE QQ-B-637 ALLOY 464	10	RIGHT HAND

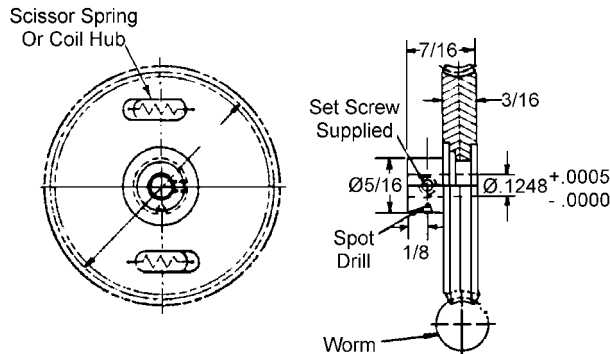
STOCK NO.	NO. OF TEETH	PITCH DIA.
AW48BS13-F40	40	.833
AW48BS13-F48	48	1.000
AW48BS13-F50	50	1.042
AW48BS13-F56	56	1.167
AW48BS13-F60	60	1.250
AW48BC13-F70	70	1.458
AW48BC13-F72	72	1.500
AW48BC13-F80	80	1.667
AW48BC13-F90	90	1.875
AW48BC13-F96	96	2.000
AW48BC13-F100	100	2.083

$$\text{Ratio} = \frac{\# \text{ of Teeth}}{\text{Worm Threads}}$$

Pressure Angle 25°

Runs with worm #
W48S-2F
OR
W48S-3F

Hub Material: 303 Stainless Steel



Other numbers of teeth are available on request.

