

ANTI-BACKLASH MITER GEARS

B

PITCH	STYLE	BORE	MATERIAL	AGMA QUALITY	PRES. ANGLE
48	Matched Sets PIN HUB	1/4"	303 Stainless Steel or 2024-T4 Aluminum Anodized	10	20°

STOCK NO.	PITCH DIA.	D BORE	FACE	T	PITCH	NO. OF TEETH	A	G	H	MATERIAL
M48N-1AB	.625 .625	.2498	3/16	1/8	48	30 30	.687	1/2	3/8	STAINLESS STEEL ALUMINUM
M48N-1ABS	.625 .625	.2498	3/16	1/8	48	30 30	.687	1/2	3/8	STAINLESS STEEL STAINLESS STEEL

Note: Gears will mesh at right angles only when used as sets described in chart.

PITCH	STYLE	BORE	MATERIAL	AGMA QUALITY	PRES. ANGLE
64	Matched Sets PIN HUB	3/16"	303 Stainless Steel or 2024-T4 Aluminum Anodized	10	20°

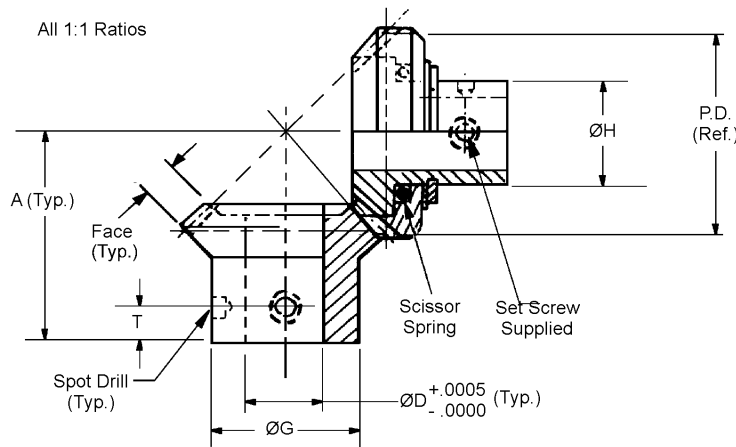
STOCK NO.	PITCH DIA.	D BORE	FACE	T	PITCH	NO. OF TEETH	A	G	H	MATERIAL
M64N-1-ABS	.500 .500	.1873	5/32	7/64	64	32 32	.562	3/8	17/64	STAINLESS STEEL STAINLESS STEEL

Note: Gears will mesh at right angles only when used as sets described in chart.

PITCH	STYLE	BORE	MATERIAL	AGMA QUALITY	PRES. ANGLE
72	Matched Sets PIN HUB	1/8"	303 Stainless Steel or 2024-T4 Aluminum Anodized	10	20°

STOCK NO.	PITCH DIA.	D BORE	FACE	T	PITCH	NO. OF TEETH	A	G	H	MATERIAL
M72N-1AB	.500 .500	.1248	1/8	3/32	72	36 36	.531	5/16	1/4	STAINLESS STEEL ALUMINUM
M72N-1-ABS	.500 .500	.1248	1/8	3/32	72	36 36	.531	5/16	1/4	STAINLESS STEEL STAINLESS STEEL

Note: Gears will mesh at right angles only when used as sets described in chart.



**For Couplings See Section G.
For Shafts, Bearings and Collars See Section I.**