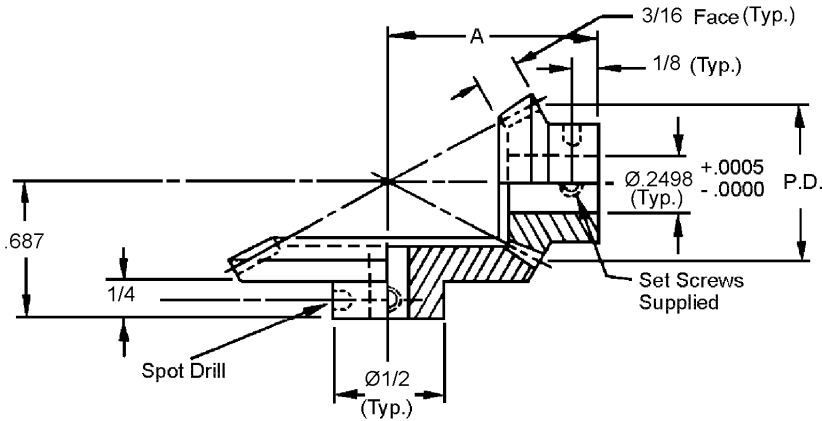


MITER & BEVEL GEARS

PITCH	STYLE	BORE	FACE	MATERIAL	AGMA QUALITY	PRES. ANGLE
48	Matched Sets PIN OR CLAMP	1/4"	3/16"	303 Stainless Steel or 2024-T4 Aluminum Anodized	10	20°

B



PIN HUB STOCK NO.	CLAMP STYLE STOCK NO.	P.D.	RATIO	NO. OF TEETH	A	MATERIAL
M48N-1	M48N-1-C	.625 .625	1 to 1	30 30	.687	STAINLESS STEEL ALUMINUM
M48N-1S	M48N-1S-C	.625 .625	1 to 1	30 30	.687	STAINLESS STEEL
M48N-1A	M48N-1A-C	.625 .625	1 to 1	30 30	.687	ALUMINUM
M48N-5	M48N-5-C	.625 (PINION) .937 (GEAR)	1 to 1-1/2	30 45	.812	STAINLESS STEEL ALUMINUM
M48N-5S	M48N-5-CS	.625 (PINION) .937 (GEAR)	1 to 1-1/2	30 45	.812	STAINLESS STEEL
M48N-5A	M48N-5-CA	.625 (PINION) .937 (GEAR)	1 to 1-1/2	30 45	.812	ALUMINUM
M48N-2	M48N-2-C	.625 (PINION) 1.250 (GEAR)	1 to 2	30 60	.937	STAINLESS STEEL ALUMINUM
M48N-2S	M48N-2S-C	.625 (PINION) 1.250 (GEAR)	1 to 2	30 60	.937	STAINLESS STEEL
M48N-2A	M48N-2A-C	.625 (PINION) 1.250 (GEAR)	1 to 2	30 60	.937	ALUMINUM
M48N-3	M48N-3-C	.625 (PINION) 1.875 (GEAR)	1 to 3	30 90	1.250	STAINLESS STEEL ALUMINUM
M48N-3S	M48N-3-CS	.625 (PINION) 1.875 (GEAR)	1 to 3	30 90	1.250	STAINLESS STEEL
M48N-3A	M48N-3-CA	.625 (PINION) 1.875 (GEAR)	1 to 3	30 90	1.250	ALUMINUM
M48N-4	M48N-4-C	.625 (PINION) 2.500 (GEAR)	1 to 4	30 120	1.531	STAINLESS STEEL ALUMINUM
M48N-4S	M48N-4-CS	.625 (PINION) 2.500 (GEAR)	1 to 4	30 120	1.531	STAINLESS STEEL
M48N-4A	M48N-4-CA	.625 (PINION) 2.500 (GEAR)	1 to 4	30 120	1.531	ALUMINUM
M48N-1P	M48N-1P-C	.625	1 to 1	30	.687	STAINLESS STEEL
M48N-1G	M48N-1G-C	.625	1 to 1	30	.687	ALUMINUM

Note: Gears will mesh at right angles only when used as sets described in chart.