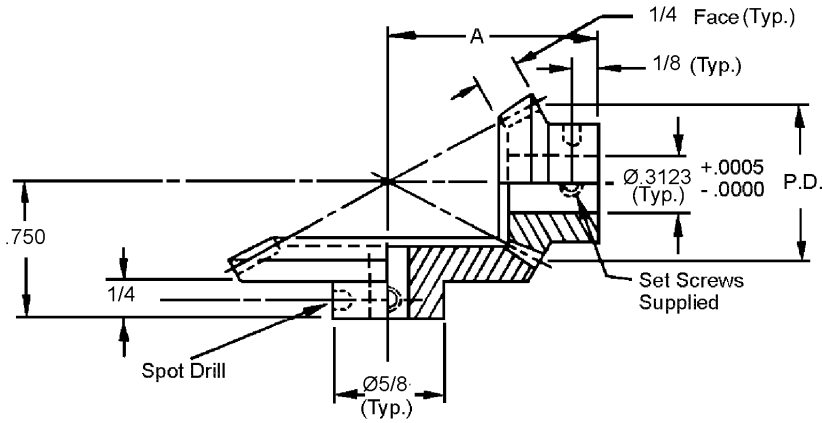


MITER & BEVEL GEARS

PITCH	STYLE	BORE	FACE	MATERIAL	AGMA QUALITY	PRES. ANGLE
32	Matched Sets PIN HUB	5/16"	1/4"	303 Stainless Steel or 2024-T4 Aluminum Anodized	10	20°



STOCK NO.	P.D.	RATIO	NO. OF TEETH	A	MATERIAL
M32P-1	.750	1 to 1	24	.750	STAINLESS STEEL ALUMINUM
M32P-1S	.750	1 to 1	24	.750	STAINLESS STEEL STAINLESS STEEL
M32P-1A	.750	1 to 1	24	.750	ALUMINUM ALUMINUM
M32P-2	.750 (PINION) 1.500 (GEAR)	1 to 2	24 48	1.125	STAINLESS STEEL ALUMINUM
M32P-3	.750 (PINION) 2.250 (GEAR)	1 to 3	24 72	1.500	STAINLESS STEEL ALUMINUM
M32P-4	.750 (PINION) 3.000 (GEAR)	1 to 4	24 96	1.875	STAINLESS STEEL ALUMINUM
M32P-1P	.750	1 to 1	24	.750	STAINLESS STEEL
M32P-1G	.750	1 to 1	24	.750	ALUMINUM

Note: Gears will mesh at right angles only when used as sets described in chart.

For Couplings See Section G.
For Shafts, Bearings and Collars See Section I.