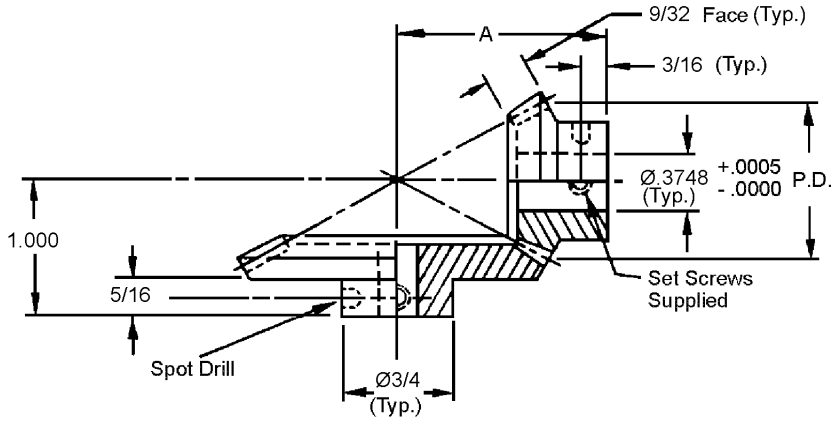


# MITER & BEVEL GEARS

PITCH	STYLE	BORE	FACE	MATERIAL	AGMA QUALITY	PRES. ANGLE
24	Matched Sets PIN HUB	3/8"	9/32"	303 Stainless Steel or 2024-T4 Aluminum Anodized	10	20°

**B**



STOCK NO.	P.D.	RATIO	NO. OF TEETH	A	MATERIAL
M24P-1	1.000 1.000	1 to 1	24 24	1.000	STAINLESS STEEL ALUMINUM
M24P-1S	1.000 1.000	1 to 1	24 24	1.000	STAINLESS STEEL STAINLESS STEEL
M24P-1A	1.000 1.000	1 to 1	24 24	1.000	ALUMINUM ALUMINUM
M24P-2	1.000 (PINION) 2.000 (GEAR)	1 to 2	24 48	1.500	STAINLESS STEEL ALUMINUM
M24P-3	1.000 (PINION) 3.000 (GEAR)	1 to 3	24 72	2.000	STAINLESS STEEL ALUMINUM
M24P-4	1.000 (PINION) 4.000 (GEAR)	1 to 4	24 96	2.500	ST STEEL ALUMINUM
M24P-1P	1.000	1 to 1	24	1.000	STAINLESS STEEL
M24P-1G	1.000	1 to 1	24	1.000	ALUMINUM

Note: Gears will mesh at right angles only when used as sets described in chart.

For Couplings See Section G.  
For Shafts, Bearings and Collars See Section I.