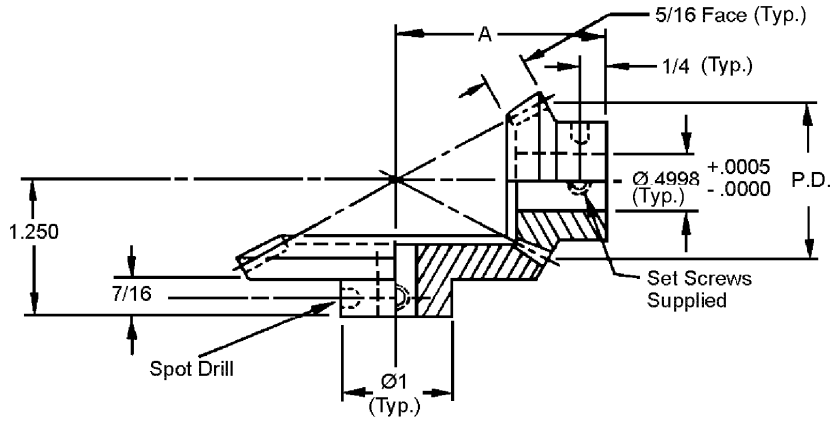


# MITER & BEVEL GEARS

PITCH	STYLE	BORE	FACE	MATERIAL	AGMA QUALITY	PRES. ANGLE
16	Matched Sets PIN HUB	1/2"	5/16"	303 Stainless Steel or 2024-T4 Aluminum Anodized	10	20°



STOCK NO.	P.D.	RATIO	NO. OF TEETH	A	MATERIAL
M16P-1	1.250 1.250	1 to 1	20 20	1.250	STAINLESS STEEL ALUMINUM
M16P-1S	1.250 1.250	1 to 1	20 20	1.250	STAINLESS STEEL STAINLESS STEEL
M16P-1A	1.250 1.250	1 to 1	20 20	1.250	ALUMINUM ALUMINUM
M16P-2	1.250 (PINION) 2.500 (GEAR)	1 to 2	20 40	1.875	STAINLESS STEEL ALUMINUM
M16P-3	1.250 (PINION) 3.750 (GEAR)	1 to 3	20 60	2.500	STAINLESS STEEL ALUMINUM
M16P-1P	1.250	1 to 1	20	1.250	STAINLESS STEEL
M16P-1G	1.250	1 to 1	20	1.250	ALUMINUM

Note: Gears will mesh at right angles only when used as sets described in chart.

For Couplings See Section G.  
For Shafts, Bearings and Collars See Section I.