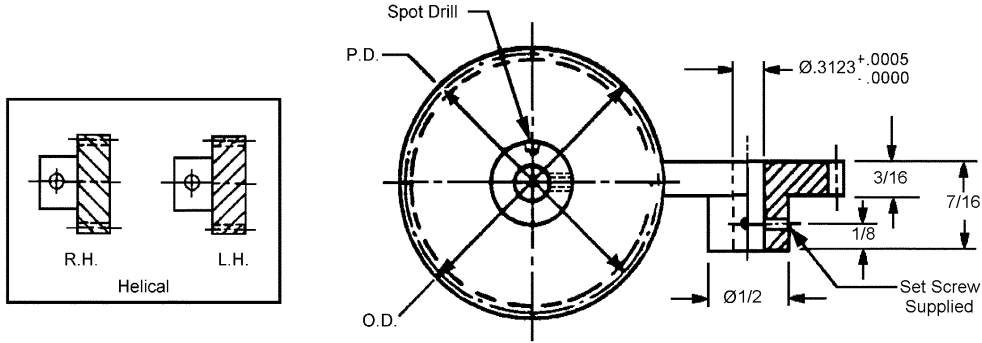


HELICAL GEARS

B

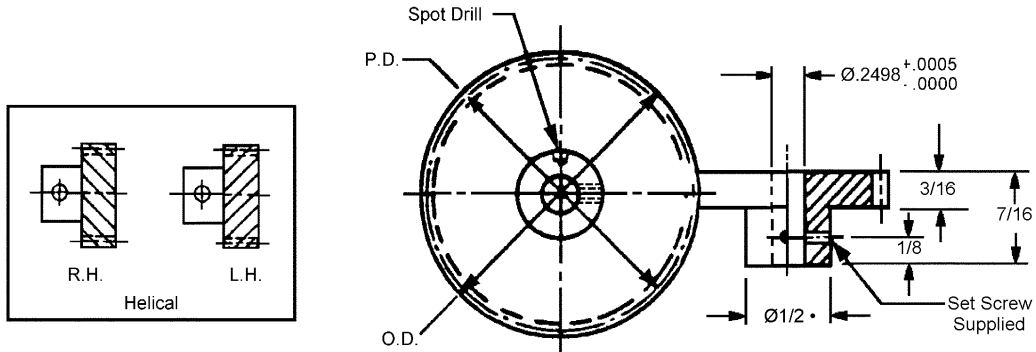
PITCH	STYLE	BORE	MATERIAL	AGMA QUALITY	PRES. ANGLE	HELIX ANGLE
24	R & L Hand PIN HUB	5/16"	303 Stainless Steel or 2024-T4 Aluminum Anodized	10	20°	45°



RIGHT HAND		LEFT HAND		NO. OF TEETH	P.D.	O.D.
STAINLESS	ALUMINUM	STAINLESS	ALUMINUM			
STOCK NO.	STOCK NO.	STOCK NO.	STOCK NO.			
H24S32-R12	H24A32-R12	H24S32-L12	H24A32-L12	12	.7071	.790
H24S32-R18	H24A32-R18	H24S32-L18	H24A32-L18	18	1.0606	1.143
H24S32-R24	H24A32-R24	H24S32-L24	H24A32-L24	24	1.4142	1.497
H24S32-R30	H24A32-R30	H24S32-L30	H24A32-L30	30	1.7677	1.850
H24S32-R36	H24A32-R36	H24S32-L36	H24A32-L36	36	2.1213	2.204
H24S32-R48	H24A32-R48	H24S32-L48	H24A32-L48	48	2.8284	2.911
H24S32-R60	H24A32-R60	H24S32-L60	H24A32-L60	60	3.5355	3.618
H24S32-R72	H24A32-R72	H24S32-L72	H24A32-L72	72	4.2426	4.325



PITCH	STYLE	BORE	MATERIAL	AGMA QUALITY	PRES. ANGLE	HELIX ANGLE
32	R & L Hand PIN HUB	1/4"	303 Stainless Steel or 2024-T4 Aluminum Anodized	10	20°	45°



RIGHT HAND		LEFT HAND		NO. OF TEETH	P.D.	O.D.
STAINLESS	ALUMINUM	STAINLESS	ALUMINUM			
STOCK NO.	STOCK NO.	STOCK NO.	STOCK NO.			
H32S28-R16	H32A28-R16	H32S28-L16	H32A28-L16	16	.7071	.769
H32S28-R24	H32A28-R24	H32S28-L24	H32A28-L24	24	1.0606	1.122
H32S28-R32	H32A28-R32	H32S28-L32	H32A28-L32	32	1.4142	1.476
H32S28-R40	H32A28-R40	H32S28-L40	H32A28-L40	40	1.7677	1.829
H32S28-R48	H32A28-R48	H32S28-L48	H32A28-L48	48	2.1213	2.183
H32S28-R64	H32A28-R64	H32S28-L64	H32A28-L64	64	2.8284	2.890
H32S28-R80	H32A28-R80	H32S28-L80	H32A28-L80	80	3.5355	3.597
H32S28-R96	H32A28-R96	H32S28-L96	H32A28-L96	96	4.2426	4.304



• For 12-13 teeth hub diameter is .45