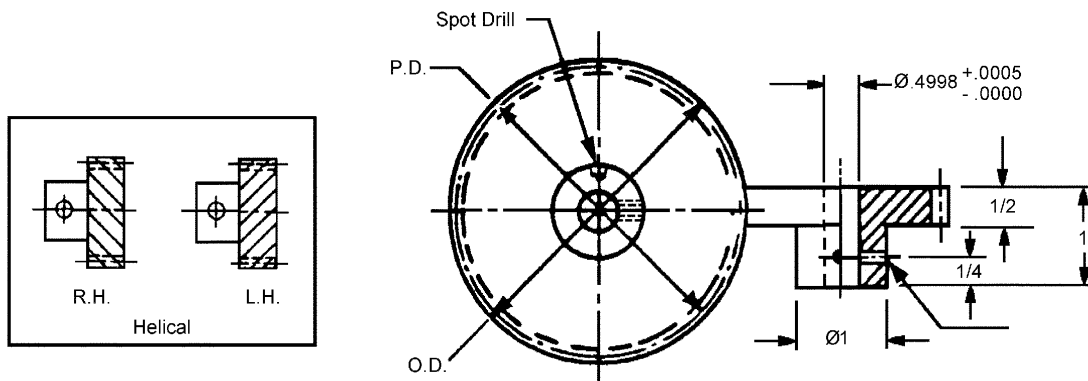


HELICAL GEARS

PITCH	STYLE	BORE	MATERIAL	AGMA QUALITY	PRES. ANGLE	HELIX ANGLE
16	R & L Hand PIN HUB	1/2"	303 Stainless Steel	9	20°	45°

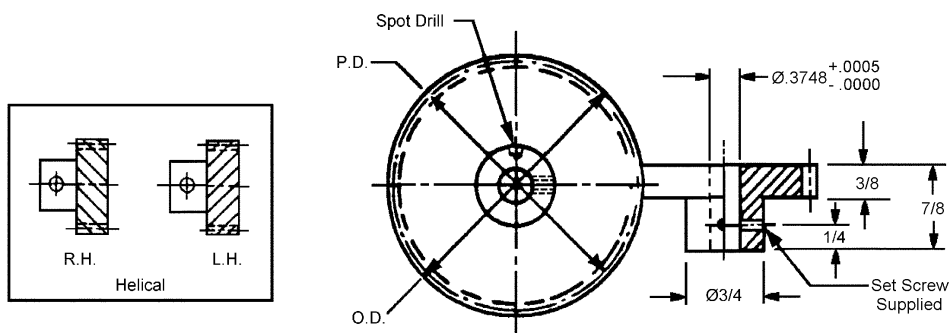


RIGHT HAND STOCK NO.	LEFT HAND STOCK NO.	NO. OF TEETH	P.D.	O.D.
H16S38-R12	H16S38-L12	12*	1.0600	1.185
H16S38-R16	H16S38-L16	16	1.4142	1.539
H16S38-R20	H16S38-L20	20	1.7677	1.892
H16S38-R24	H16S38-L24	24	2.1213	2.246
H16S38-R32	H16S38-L32	32	2.8284	2.953
H16S38-R40	H16S38-L40	40	3.5355	3.660
H16S38-R48	H16S38-L48	48	4.2426	4.367

* For 11-12 teeth hub diameter is .81



PITCH	STYLE	BORE	MATERIAL	AGMA QUALITY	PRES. ANGLE	HELIX ANGLE
20	R & L Hand PIN HUB	3/8"	303 Stainless Steel	9	20°	45°



RIGHT HAND STOCK NO.	LEFT HAND STOCK NO.	NO. OF TEETH	P.D.	O.D.
H20S35-R11	H20S35-L11	11*	.7778	.877
H20S35-R15	H20S35-L15	15	1.0606	1.160
H20S35-R20	H20S35-L20	20	1.4142	1.514
H20S35-R25	H20S35-L25	25	1.7677	1.867
H20S35-R30	H20S35-L30	30	2.1213	2.221
H20S35-R40	H20S35-L40	40	2.8284	2.928
H20S35-R50	H20S35-L50	50	3.5355	3.635
H20S35-R60	H20S35-L60	60	4.2426	4.342

* For 11-12 teeth hub diameter equals .65

