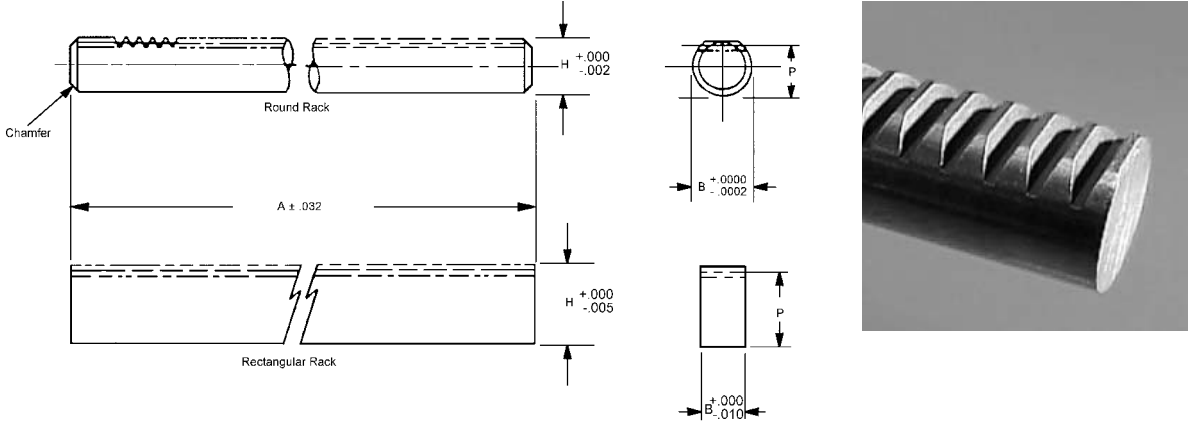


GEAR RACKS

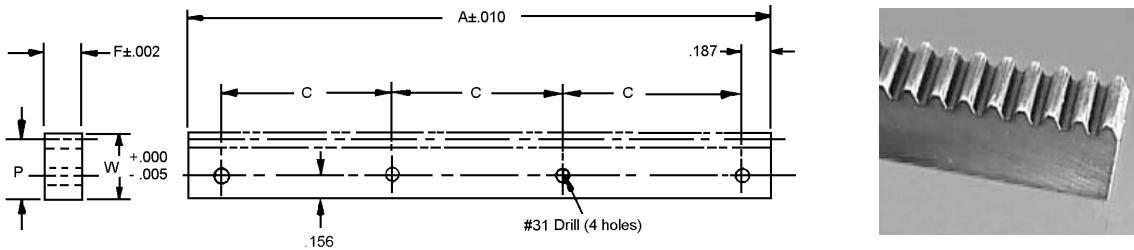
PITCH	STYLE	MATERIAL	AGMA QUALITY	PRESSURE ANGLE
120	ROUND & RECTANGULAR	416 SERIES STAINLESS STEEL STRESSED RELIEVED	10	20°



STOCK NO.	RACK STYLE	PITCH	P (Ref.)	B	A	H	AGMA QUALITY
R2-21	ROUND	120	.1067	.1247	11	.115	10
R2-17	RECTANGULAR	120	.3467	.167±.005	11	.355	10

Available on request: 14 - 1/2° pressure angle, special, modified and custom racks.

PITCH	STYLE	MATERIAL	AGMA QUALITY	PRESSURE ANGLE
120	RECTANGULAR	416 SERIES STAINLESS STEEL AND 2024-T4 ALUMINUM ANODIZED	10	20°



STOCK NO.	MATERIAL	A (Inch)	P (Ref.)	W	F	C
R4-23	STAINLESS ST.	3"	.3467	.355	.167	.875
R4-24	ALUMINUM					

Available on request: special, modified and custom racks.