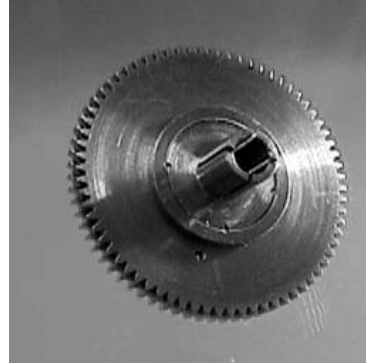
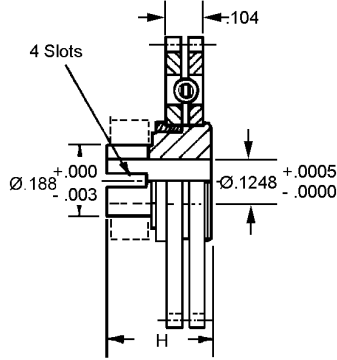


# ANTI-BACKLASH GEARS

PITCH	STYLE	BORE	FACE	MATERIAL	AGMA QUALITY	PRES. ANGLE
96	CLAMP STYLE	1/8"	.104	303 STAINLESS STEEL OR 2024-T4 ALUMINUM ANODIZED	10	20°

**B**



Hub Material: 303 Stainless Steel

303 STAINLESS STEEL STOCK NO.	2024-T4 ALUMINUM ANODIZED STOCK NO.	NO. OF TEETH	PITCH DIAMETER	OUTSIDE DIA.	SPRING STYLE	H
AC96AS-54	-	54	.5625	.583	SCISSOR	27/64
AC96AS-55	-	55	.5729	.593		
AC96AS-56	-	56	.5833	.604		
AC96AS-60	-	60	.6250	.645		
AC96AS-64	-	64	.6666	.687		
AC96AS-66	-	66	.6875	.708		
AC96AS-72	AC96NS-72	72	.7500	.770		
AC96AS-80	AC96NS-80	80	.8333	.854		
AC96AS-84	AC96NS-84	84	.8750	.895		
AC96AS-90	AC96NS-90	90	.9375	.958		
AC96AS-95	AC96NS-95	95	.9895	1.010		
AC96A-96	AC96N-96	96	1.0000	1.020	COIL	25/64
AC96A-105	AC96N-105	105	1.0937	1.114		
AC96A-108	AC96N-108	108	1.1250	1.145		
AC96A-112	AC96N-112	112	1.1666	1.187		
AC96A-120	AC96N-120	120	1.2500	1.270		
AC96A-126	AC96N-126	126	1.3125	1.333		
AC96A-128	AC96N-128	128	1.3333	1.354		
AC96A-140	AC96N-140	140	1.4583	1.479		
AC96A-144	AC96N-144	144	1.5000	1.520		
AC96A-150	AC96N-150	150	1.5625	1.583		
AC96A-155	AC96N-155	155	1.6145	1.635		
AC96A-160	AC96N-160	160	1.6666	1.687		
AC96A-165	AC96N-165	165	1.7187	1.739		
AC96A-168	AC96N-168	168	1.7500	1.770		
AC96A-192	AC96N-192	192	2.0000	2.020		
AC96A-216	AC96N-216	216	2.2500	2.270		
AC96A-240	AC96N-240	240	2.5000	2.520		
AC96A-264	AC96N-264	264	2.7500	2.770		

Available on request:

- Other numbers of teeth;
- AGMA Quality 12 and 14 (some dimensions may vary);
- 14-12° pressure angle.

**For Couplings See Section G.  
For Shafts, Bearings and Collars See Section I.**