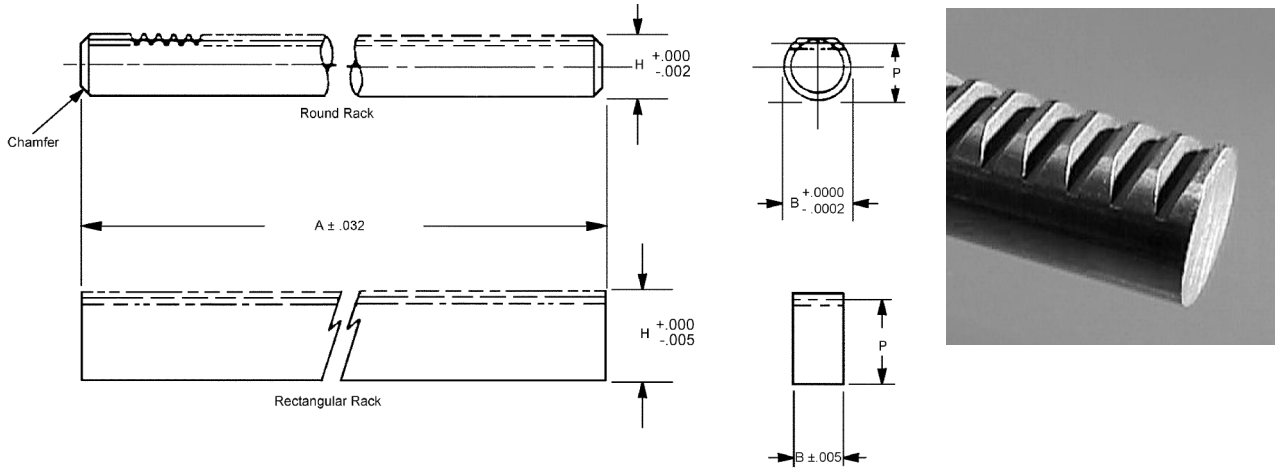


GEAR RACKS

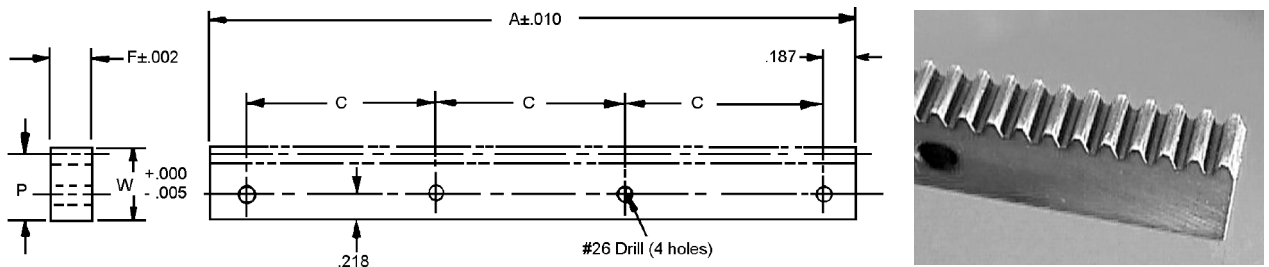
PITCH	STYLE	MATERIAL	AGMA QUALITY	PRESSURE ANGLE
48	ROUND & RECTANGULAR	416 SERIES STAINLESS STEEL STRESSED RELIEVED	10	20°



STOCK NO.	RACK STYLE	PITCH	P (Ref.)	B	A	H	AGMA QUALITY
R2-6	ROUND	48	.1992	.2497	18	.220	10
R2-12	RECTANGULAR	48	.4592	.230	18	.480	10

Available on request:
14 - 1/2° pressure angle,
special, modified and custom racks.

PITCH	STYLE	MATERIAL	AGMA QUALITY	PRESSURE ANGLE
32	RECTANGULAR	416 SERIES STAINLESS STEEL AND 2024-T4 ALUMINUM ANODIZED	10	20°



STOCK NO.	MATERIAL	A (Inch)	P (Ref.)	W	F	C
R4-11	STAINLESS ST.	9	.4592	.480	.230	2.879
R4-12	ALUMINUM					

Available on request: special,
modified and custom racks.