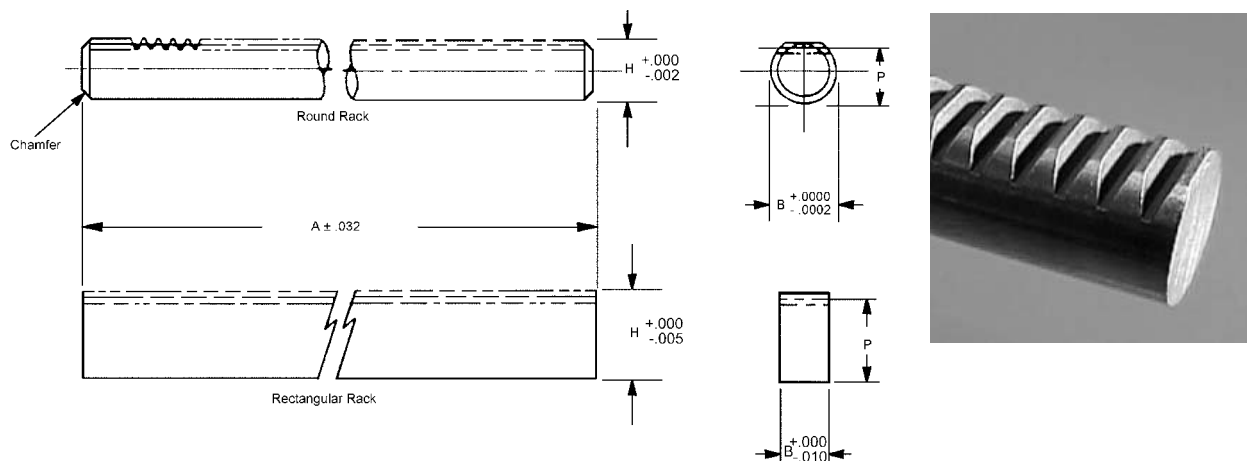


GEAR RACKS

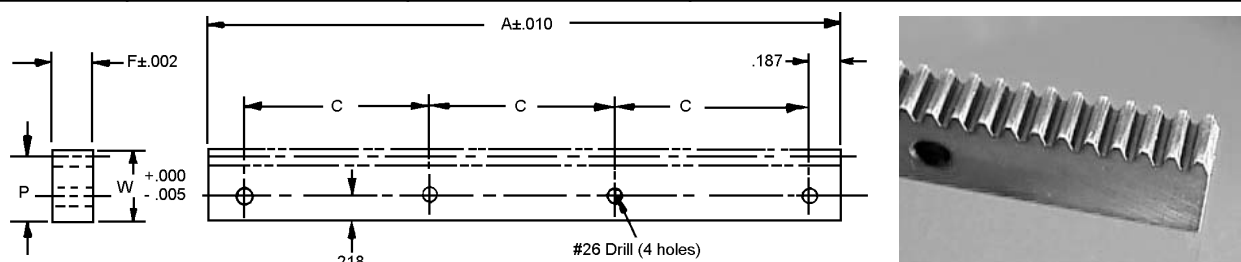
PITCH	STYLE	MATERIAL	AGMA QUALITY	PRESSURE ANGLE
32	ROUND & RECTANGULAR	416 SERIES STAINLESS STEEL STRESSED RELIEVED	10	20°



STOCK NO.	RACK STYLE	PITCH	P (Ref.)	B	A	H	AGMA QUALITY
R2-5	ROUND	32	.3087	.3747	18	.340	10
R2-11	RECTANGULAR	32	.4487	.230±.005	18	.480	10

Available on request:
14 - 1/2° pressure angle,
special, modified and custom racks.

PITCH	STYLE	MATERIAL	AGMA QUALITY	PRESSURE ANGLE
32	RECTANGULAR	416 SERIES STAINLESS STEEL AND 2024-T4 ALUMINUM ANODIZED	10	20°



STOCK NO.	MATERIAL	A (Inch)	P (Ref.)	W	F	C
R4-9	STAINLESS ST.	10	.4487	.480	.230	3.208
R4-10	ALUMINUM					

Available on request: special,
modified and custom racks.

* Higher quality on request.