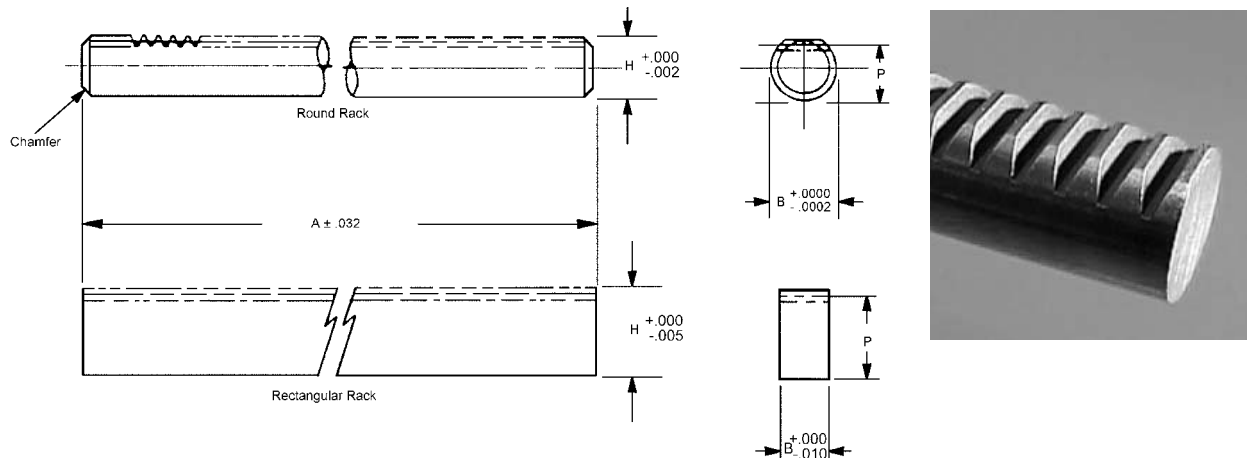


GEAR RACKS

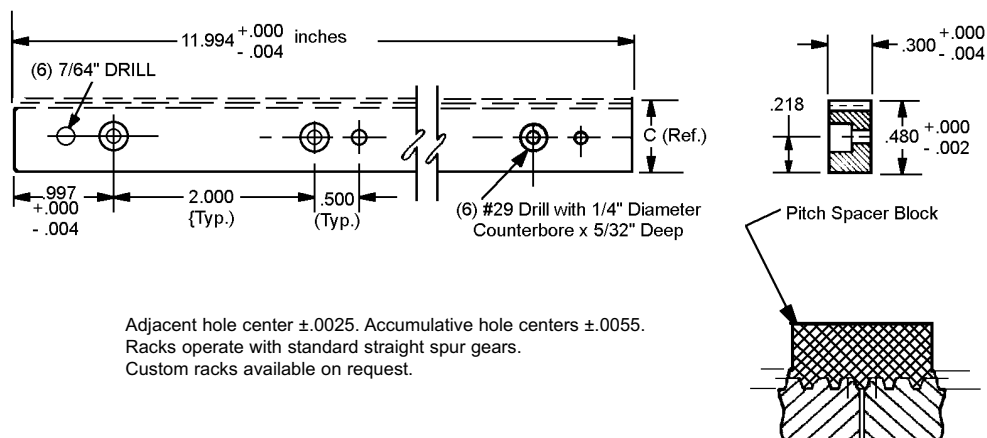
PITCH	STYLE	MATERIAL	AGMA QUALITY	PRESSURE ANGLE
1/10	ROUND & RECTANGULAR	416 SERIES STAINLESS STEEL STRESSED RELIEVED	10	20°



STOCK NO.	RACK STYLE	PITCH	P (Ref.)	B	A	H	AGMA QUALITY
R2-4	ROUND	1/10	.3082	.3747	18	.340	10
R2-10	RECTANGULAR	1/10	.4482	.230±.005	18	.480	10

Available on request:
14 - 1/2° pressure angle,
special, modified and custom racks.

PITCH	STYLES	MATERIAL	AGMA QUALITY	PRESSURE ANGLE
1/10	Order With or Without Spacer Block	416 SERIES STAINLESS STEEL RC26-36	10	20°



Adjacent hole center ±.0025. Accumulative hole centers ±.0055.
Racks operate with standard straight spur gears.
Custom racks available on request.

WITHOUT SPACER BLOCK STOCK NO.	SPACER BLOCK STOCK NO.	AGMA QUALITY NO.	TOTAL COMPOSITE ERROR	TOTAL TOOTH ERROR	PITCH PLANE PARALLELISM TO BASE SURFACE	LINEAR PITCH	C REF
R8-2-G1	R8-2-G1-SB	Q10*	.0014	.0005	.0015	1/10	.4480

* Higher quality on request.