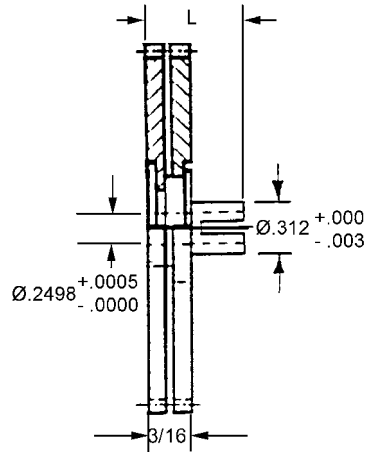


ANTI-BACKLASH GEARS

PITCH	STYLES	BORE	FACE	MATERIAL	AGMA QUALITY	PRES. ANGLE
24	CLAMP STYLE	1/4"	3/16"	303 STAINLESS STEEL OR 2024-T4 ALUMINUM ANODIZED	10	20°

B



Hub Material:
303 Stainless Steel

303 STAINLESS STEEL STOCK NO.	2024-T4 ALUMINUM ANODIZED STOCK NO.	L	NO. OF TEETH	PITCH DIA.	OUTSIDE DIA.
AC24MS-24	AC24QS-24	15/32	24	1.0000	1.083
AC24MS-25	AC24QS-25		25	1.0417	1.125
AC24MS-26	AC24QS-26		26	1.0833	1.166
AC24MS-28	AC24QS-28		28	1.1667	1.250
AC24M-30	AC24Q-30	27/64	30	1.2500	1.333
AC24M-35	AC24Q-35		35	1.4583	1.541
AC24M-36	AC24Q-36		36	1.5000	1.583
AC24M-40	AC24Q-40		40	1.6667	1.750
AC24M-42	AC24Q-42		42	1.7500	1.833
AC24M-45	AC24Q-45		45	1.8750	1.958
AC24M-48	AC24Q-48		48	2.0000	2.083
AC24M-50	AC24Q-50		50	2.0833	2.166
AC24M-54	AC24Q-54		54	2.2500	2.333
AC24M-55	AC24Q-55		55	2.2917	2.375
AC24M-60	AC24Q-60		60	2.5000	2.583
AC24M-65	AC24Q-65		65	2.7083	2.791
AC24M-66	AC24Q-66		66	2.7500	2.833

Available on request:
Other numbers of teeth,
AGMA Quality 12 and 14 (some dimensions may vary),
14-1/2° Pressure Angle

For Couplings See Section G.
For Shafts, Bearings and Collars See Section I.