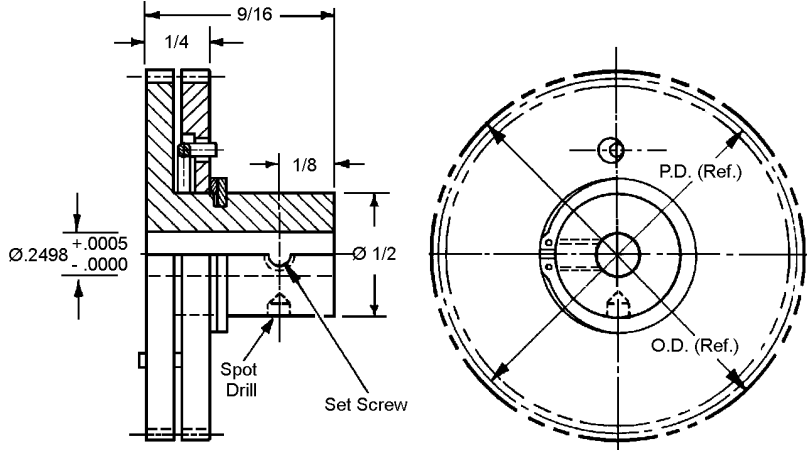


ANTI-BACKLASH GEARS

PITCH	STYLES	BORE	FACE	MATERIAL	AGMA QUALITY	PRES. ANGLE
24	PIN HUB	1/4"	1/4"	303 STAINLESS STEEL OR 2024-T4 ALUMINUM ANODIZED	10	20°



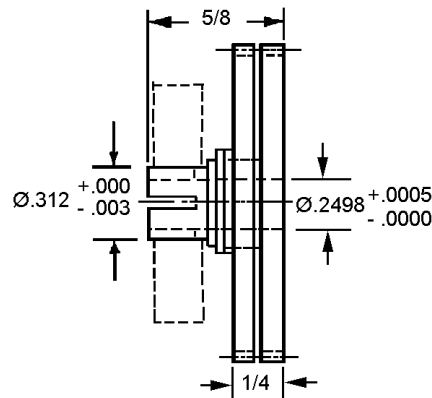
Hub Material:
303 Stainless Steel

STAINLESS STEEL STOCK NO.	ALUMINUM STOCK NO.	PITCH	NO. OF TEETH	PITCH DIA.	OUTSIDE DIA.
AP24BS-18	AP24DS-18	24	18	.7500	.833
AP24BS-21	AP24DS-21		21	.8750	.958
AP24BS-24	AP24DS-24		24	1.0000	1.083

Available on request:
Other numbers of teeth
AGMA Quality 12 and 14
14-1/2° Pressure Angle

PITCH	STYLES	BORE	FACE	MATERIAL	AGMA QUALITY	PRES. ANGLE
24	CLAMP STYLE	1/4"	1/4"	303 STAINLESS STEEL OR 2024-T4 ALUMINUM ANODIZED	10	20°

Hub Material:
303 Stainless Steel



STAINLESS STEEL STOCK NO.	ALUMINUM STOCK NO.	PITCH	NO. OF TEETH	PITCH DIA.	OUTSIDE DIA.
AC24BS-18	AC24DS-18	24	18	.7500	.833
AC24BS-21	AC24DS-21		21	.8750	.958
AC24BS-24	AC24DS-24		24	1.0000	1.083

Available on request:
Other numbers of teeth
AGMA Quality 12 and 14
14-1/2° Pressure Angle