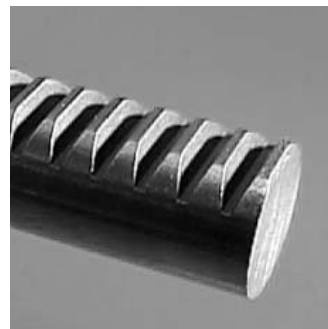
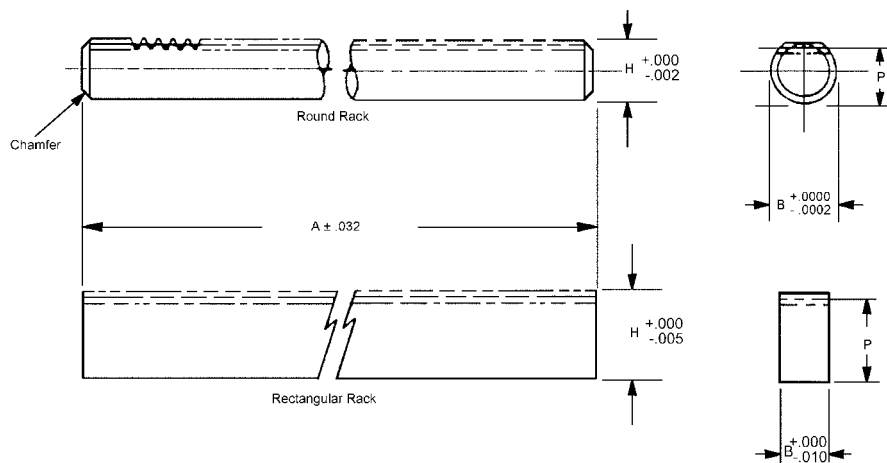


# GEAR RACKS

**B**

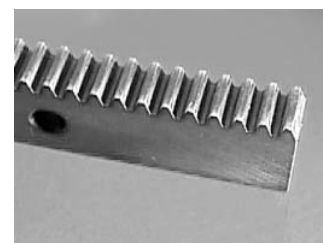
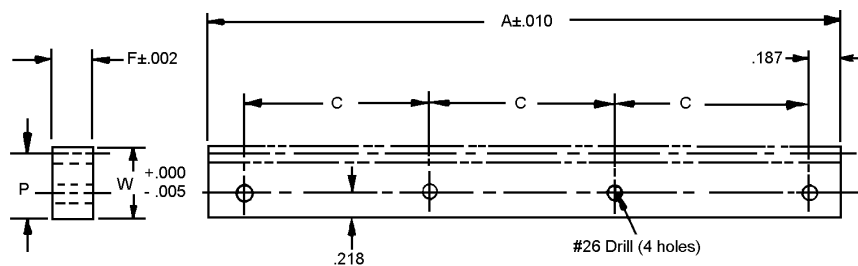
PITCH	STYLE	MATERIAL	AGMA QUALITY	PRESSURE ANGLE
<b>24</b>	<b>ROUND &amp; RECTANGULAR</b>	416 SERIES STAINLESS STEEL STRESSED RELIEVED	<b>10</b>	<b>20°</b>



STOCK NO.	RACK STYLE	PITCH	P (Ref.)	B	A	H	AGMA QUALITY
R2-3	ROUND	24	.4383	.4997	18	.480	10
R2-9	RECTANGULAR	24	.4383	.230±.005	18	.480	10

Available on request:  
14 - 1/2° pressure angle,  
special, modified and custom racks.

PITCH	STYLE	MATERIAL	AGMA QUALITY	PRESSURE ANGLE
<b>24</b>	<b>RECTANGULAR</b>	416 SERIES STAINLESS STEEL AND 2024-T4 ALUMINUM ANODIZED	<b>10</b>	<b>20°</b>



STOCK NO.	MATERIAL	A (Inch)	P (Ref.)	W	F	C
R4-5	STAINLESS ST.	10	.4383	.480	.230	3.208
R4-6	ALUMINUM					

Available on request: special,  
modified and custom racks.