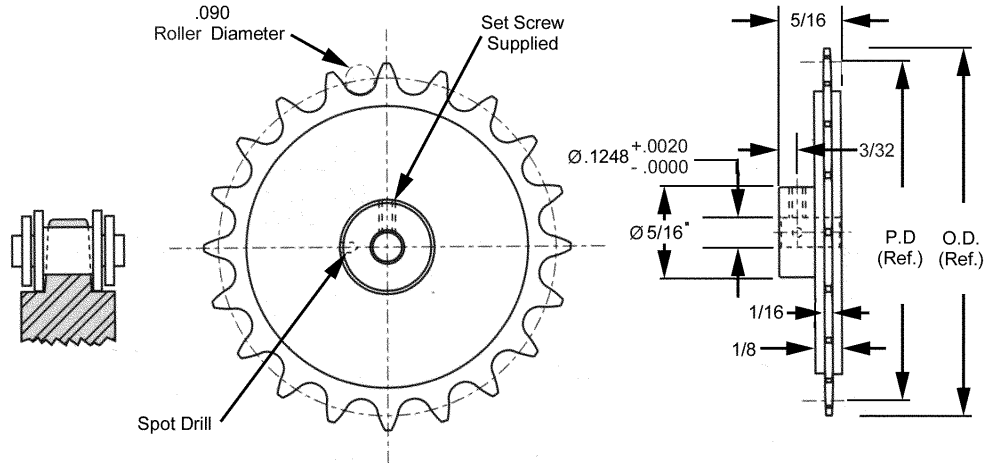


SPROCKETS

CIR. PITCH	BORE	STYLE	MATERIALS	BERG'S ® NAME	CHAIN
.1475	1/8"	PIN HUB	303 Stainless Steel Or 2024-T4 Aluminum Anodized	ROW-L-ER®	Operates with RC14SS Series



303 STAINLESS STEEL	2024T4 ALUMINUM ANODIZED			
STOCK NO.	STOCK NO.	NO. OF TEETH	PITCH DIA.	OUTSIDE DIA.
14EM10S-9	14EM10A-9	9*	.431	.483
14EM10S-10	14EM10A-10	10*	.477	.529
14EM10S-11	14EM10A-11	11	.524	.575
14EM10S-12	14EM10A-12	12	.570	.621
14EM10S-13	14EM10A-13	13	.616	.668
14EM10S-14	14EM10A-14	14	.663	.714
14EM10S-15	14EM10A-15	15	.709	.761
14EM10S-16	14EM10A-16	16	.756	.808
14EM10S-17	14EM10A-17	17	.803	.854
14EM10S-18	14EM10A-18	18	.849	.901
14EM10S-19	14EM10A-19	19	.896	.948
14EM10S-20	14EM10A-20	20	.943	.994
14EM10S-21	14EM10A-21	21	.990	1.041
14EM10S-22	14EM10A-22	22	1.036	1.088
14EM10S-23	14EM10A-23	23	1.083	1.135
14EM10S-24	14EM10A-24	24	1.130	1.182
14EM10S-25	14EM10A-25	25	1.177	1.228
14EM10S-26	14EM10A-26	26	1.224	1.275
14EM10S-27	14EM10A-27	27	1.271	1.322
14EM10S-28	14EM10A-28	28	1.317	1.369
14EM10S-29	14EM10A-29	29	1.364	1.416
14EM10S-30	14EM10A-30	30	1.411	1.463
14EM10S-31	14EM10A-31	31	1.458	1.510
14EM10S-32	14EM10A-32	32	1.505	1.556
14EM10S-33	14EM10A-33	33	1.552	1.603
14EM10S-34	14EM10A-34	34	1.599	1.650
14EM10S-35	14EM10A-35	35	1.646	1.697
14EM10S-36	14EM10A-36	36	1.692	1.744



• For 9-10 teeth, hub diameter equals .23.
Other Bore sizes and other numbers of teeth are available on request.

Teeth could be anodized.